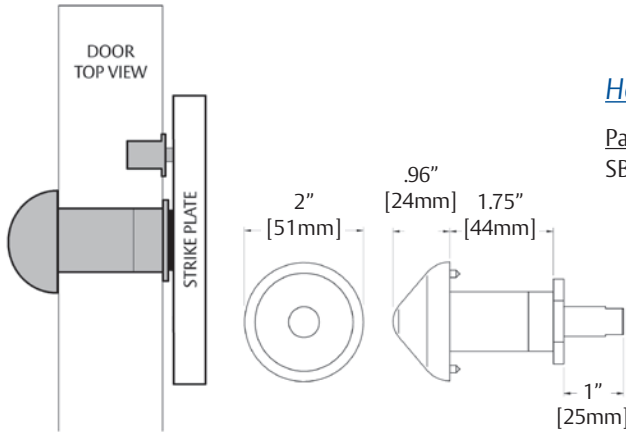


## SB-MXD

### Exit Delay Initiate Device

The SB-MXD consists of several components which will produce an initiate signal for delayed exit as controlled by Securitron's XDT logic timer. The distance depends on the door type and gap between the door and frame. This distance is typically in the 1/2" - 3/4" range [12-18mm].



#### How To Order

Part #	Description
SB-MXD	Door Movement Sex Bolt Kit



SB-MXD Extension Tube  
(For doors > than 2" thick)  
Part #390-15690



SB-MXD Shim Plate  
(For doors < than 1.75" thick)  
Part #390-15690

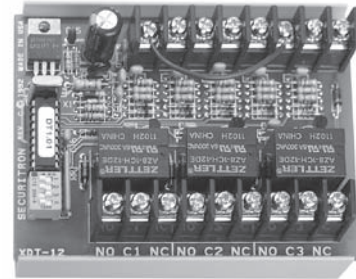
#### Note

Available Upon Request. The SB-MXD is adaptable to a wide variety of door thicknesses by using the Extension Tube or Shim Plate shown above

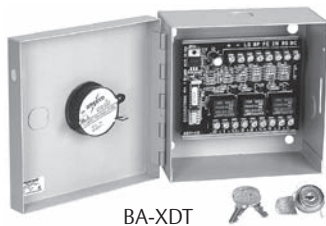
## XDT

### Exit Delay Timers

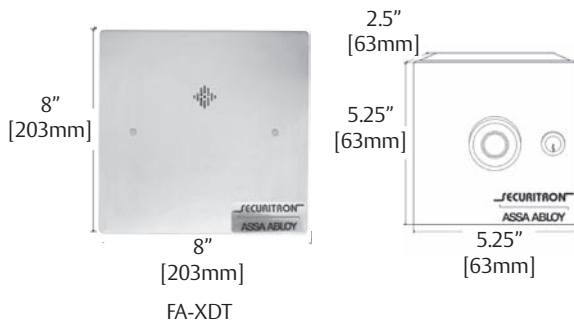
Widely used in dementia wards to prevent patient wandering and in retail environments to prevent grab-n-dash theft.



XDT



BA-XDT



FA-XDT

#### Features & Benefits

- Meets all code requirements including the BOCA 30 second relock function
- Nuisance delay and release times are digitally set using precise DIP switches
- Supplied alone or in an enclosure mounted with Piezo
- XDT is board only; BA-XDT is a surface mount box; FA-XDT is a flush mount plate
- Three 5 Amp SPDT relays
- UL Listed

#### How To Order

Part #	Description
XDT-12	Exit Delay Timer 12VDC
XDT-24	Exit Delay Timer 24VDC
BA-XDT-12	Exit Delay Timer Surface Mount Box 12VDC
BA-XDT-24	Exit Delay Timer Surface Mount Box 24VDC
FA-XDT-12	Exit Delay Timer Flush Mount 12VDC
FA-XDT-24	Exit Delay Timer Flush Mount 24VDC
EXD-1L	Exit Delay Door Label "Push Until Alarm Sounds...30 Seconds"

#### Note

FA-XDT Backbox 6" x 6" x 4" [152mm x 152mm x 102"]



#### Approvals and Listings

XDT - Underwriter's Laboratories: File SA6635 Vol. 2 (UL 294 and NFPA 101)  
California State Fire Marshal: 3774-0923:102  
City of New York MEA: 251-95E and 254-95E