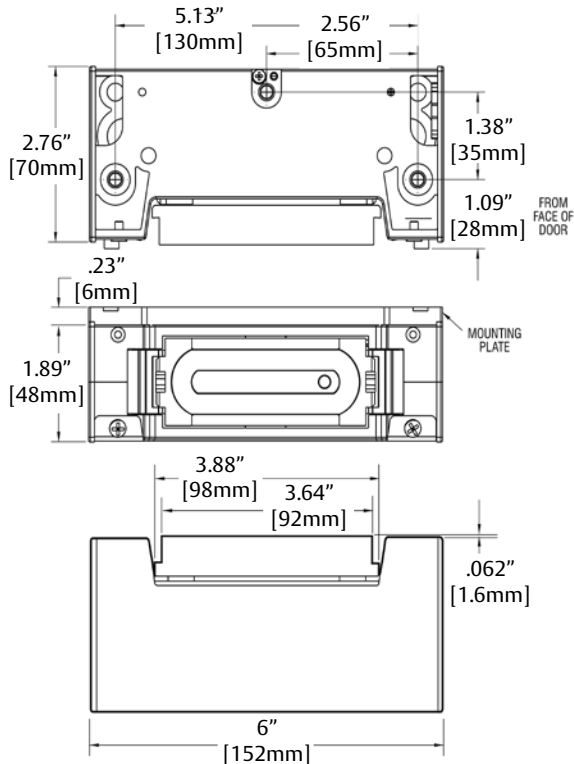
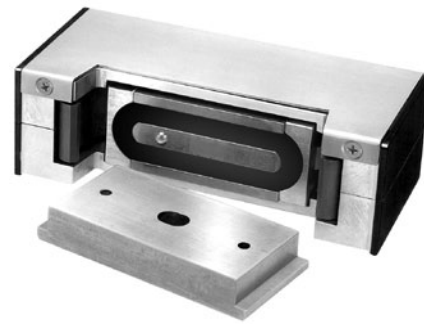


MM15

E-Mag

4000 lbs. holding force dual voltage, dual current Maglock for interior or perimeter doors where ultra-high security and compact size are required.

MM15 is a hybrid design with two spring loaded, hardened steel jaws. In the event of a forced entry attempt, the mandibles rotate inward, clamping down and capturing the edges of the armature.



Features & Benefits

- 4000 lbs. holding force provides an unmatched level of security
- Dual voltage (12/24) and dual current (AC/DC) operation
- Mounting plate provides easy and accurate installation
- Fail Safe, but can be installed with a battery backup power supply
- Optional door position switch and anti-tamper switch
- Optional prep for use with 1/2" conduit
- Optional finishes via dress cover include Black, Polished Brass (US03) and Satin Brass (US04)
- Brackets and accessories to configure any opening
- Indoor use only
- UL Listed

Specification Data

Holding Force: 4000 lbs. [1814 Kg.]

Current Draw and Voltage:

AC Current: 130mA max at 12VAC; 250mA max at 24VAC

DC Current: 100mA max at 12VDC; 200mA max at 24VDC

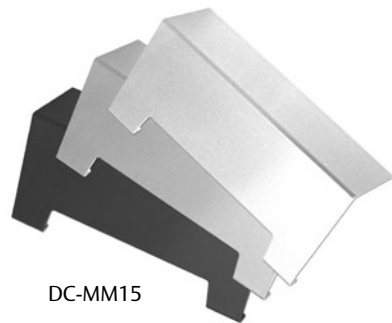
Operating Temperature: -40 to +140F [-40 to +60C]

Shipping Weight: 6 lbs.

Warranty: MagnaCare Lifetime Replacement Warranty

How To Order

Part #	Description
MM15	4000 lbs. Electromechanical Maglock, Satin Stainless
MM15G	4000 lbs. MM15, Satin Stainless, Conduit Option
MM15DT	4000 lbs. MM15, Satin Stainless, Door Position/Tamper Switch Option
MM15GDT	4000 lbs. MM15, Satin Stainless, Conduit Option, Door Position/Tamper Switch Option



DC-MM15

Note

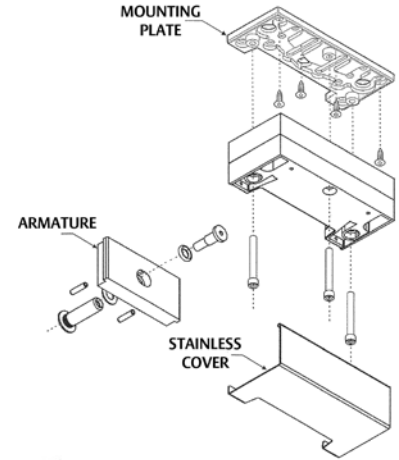
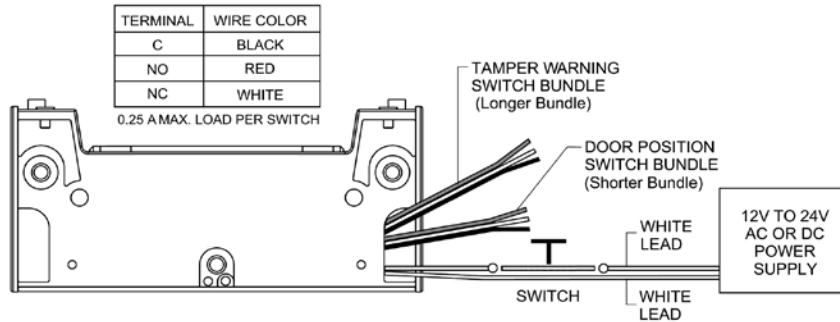
MM15 finishes are determined by snap-on metal dress covers. The Brushed Stainless dress cover is provided standard with the MM15. Black, Polished Brass and Satin Brass dress covers must be purchased separately

DC - Dress Cover - How To Order

Part #	Description
DC-MM15BK	MM15 Dress Cover, Black
DC-MM15BP	MM15 Dress Cover, Polished Brass
DC-MM15BS	MM15 Dress Cover, Satin Brass



**DOOR POSITION (POWER + ARMATURE)
TAMPER (*)**



TS - Tamper Shield - How To Order

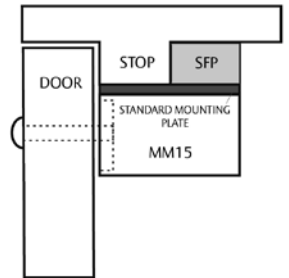
Part #	Description
MM15-TS	MM15 Tamper Shield, Stainless

Note

Tamper Shield fully encloses lock face completely preventing unwanted access to MM15 Strike Plate using foreign objects

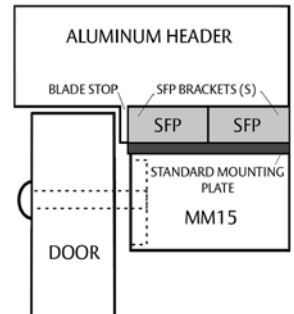


MM15-TS



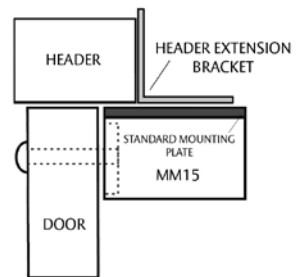
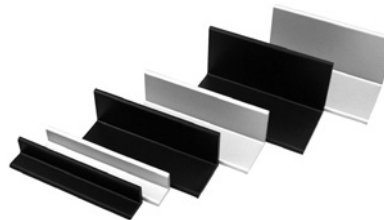
SFP - Stop Filler Plates - How To Order

Size	Part #	Description
3/8"	SFP-3/8CLMM15	MM15 SFP, 3/8" Clear 6"
3/8"	SFP-3/8BKMM15	MM15 SFP, 3/8" Black 6"
1/2"	SFP-1/2CLMM15	MM15 SFP, 1/2" Clear 6"
1/2"	SFP-1/2BKMM15	MM15 SFP, 1/2" Black 6"
5/8"	SFP-5/8CLMM15	MM15 SFP, 5/8" Clear 6"
5/8"	SFP-5/8BKMM15	MM15 SFP, 5/8" Black 6"



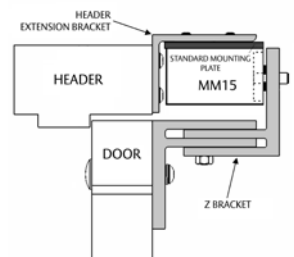
HEB - Header Extension Brackets - How To Order

Size	Part #	Description
1"	HEB-1CL-MM15	MM15 HEB, 1" Clear 6"
1"	HEB-1BK-MM15	MM15 HEB, 1" Black 6"
2"	HEB-2CL-MM15	MM15 HEB, 2" Clear 6"
2"	HEB-2BK-MM15	MM15 HEB, 2" Black 6"
3"	HEB-3CL-MM15	MM15 HEB, 3" Clear 6"
3"	HEB-3BK-MM15	MM15 HEB, 3" Black 6"



Z - Z Bracket Kits - How To Order

Part #	Description
Z-MM15CL	Z Bracket MM15, Clear 6"
Z-MM15BK	Z Bracket MM15, Black 6"



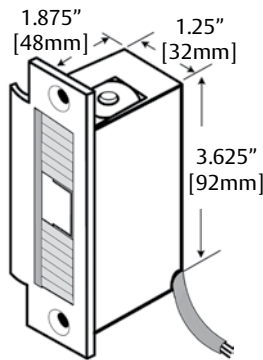
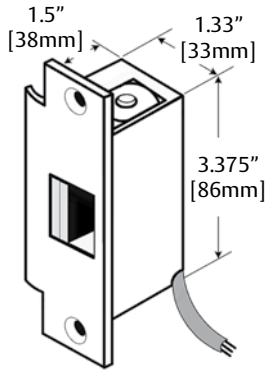
MM15 Approvals and Listings

Patent Number: #6,902,214
Underwriter's Laboratories: File R21226

UNL/MUNL

UnLatch Strike / Mortise UnLatch® Strike

UnLatch/Mortise UnLatch is for any application where an electric strike would be used for a cylindrical/tubular (UNL) or mortise type (MUNL) lockset. UnLatch supports full dead latch function, releases under pressure and includes a latch status monitoring output. The Mortise UnLatch includes field adjustability for latch and deadlatch positions.



ANSI A250.13 - Rating by the American National Standards Institute. Rates strength of products to withstand impact from flying objects with force of over 3000 lbs. static force and 350 ft. lbs. impact force. Hurricane resistant.

Note

UNL/MUNL requires three wires for operation - continuous positive DC, continuous negative DC, and a trigger input to unlock

FSUNL Option: FSUNL allows the UNL and MUNL to become selectable for either "Fail Safe" or "Fail Secure" operation

Features & Benefits

- No cutting or altering of the jamb required
- Fits standard ANSI 4-7/8" strike cutout
- Also available in Polished Brass (US03) and Oil Rubbed Bronze (US10B)
- Motorized, no solenoids
- Fully concealed installation
- Maintains deadlatch function at all times
- Continuous duty
- Releases under pre-load
- Latch status sensor is standard (SPDT)
- MUNL works with most North American Mortise Locks (Sargent 7800 and 8200 require tab kit model #STK-1 for retrofit installations)
- UL Listed

Specification Data

Current Draw:

12VDC: 40mA continuous, minimum 300mA (MUNL - 700mA) when operating
 24VDC: 40mA continuous, minimum 200mA (MUNL - 500mA) when operating

Higher capacity supply (UNL -1-3 Amps; MUNL 1-4 Amps) is

recommended for startup inrush to achieve best operation under pre-load

Operating Temperature: -20 to +125F [-29 to +52C]

Shipping Weight: UNL - 1.6 lbs.; MUNL - 2 lbs.

Warranty: MagnaCare Lifetime Replacement Warranty

How To Order

Part #	Description
UNL-12	UnLatch for Cylindrical Locks, 12VDC
UNL-24	UnLatch for Cylindrical Locks, 24VDC
UNL-12-US3	UnLatch 12VDC, Polished Brass
UNL-24-US3	UnLatch 24VDC, Polished Brass
UNL-12-10B	UnLatch 12VDC, Oil Rubbed Bronze
UNL-24-10B	UnLatch 24VDC, Oil Rubbed Bronze
MUNL-12	Mortise UnLatch, 12VDC
MUNL-24	Mortise UnLatch, 24VDC
MUNL-12-US3	Mortise UnLatch, 12VDC, Polished Brass
MUNL-24-US3	Mortise UnLatch, 24VDC, Polished Brass
MUNL-12-10B	Mortise UnLatch, 12VDC, Oil Rubbed Bronze
MUNL-24-10B	Mortise UnLatch, 24VDC, Oil Rubbed Bronze
STK	Retrofit Tab Kit for Sargent 7800 and 8200
FSUNL-12	Fail Safe/Fail Secure UnLatch Module, 12VDC, .90mA
FSUNL-24	Fail Safe/Fail Secure UnLatch Module, 24VDC, 1.4mA

Patents, Approvals and Listings

Patent Numbers: #5,474,342, #6,022,056, #6,581,991

UNL and MUNL - Underwriter's Laboratories: File R18923

GXAY and GXAY7 Electric Strike for Fire Door (UL 10B and UL 10C)

UNL and MUNL - UL Listing Card Category ZHEM



UNL finishes shown on page 75