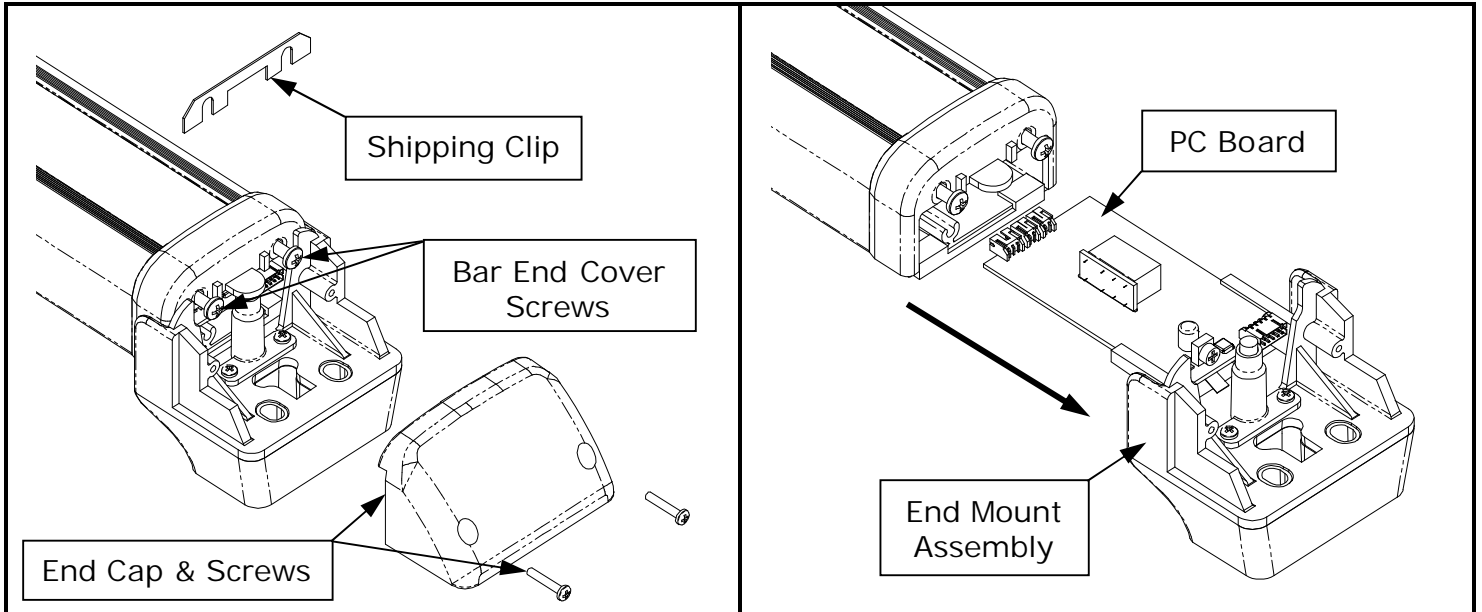


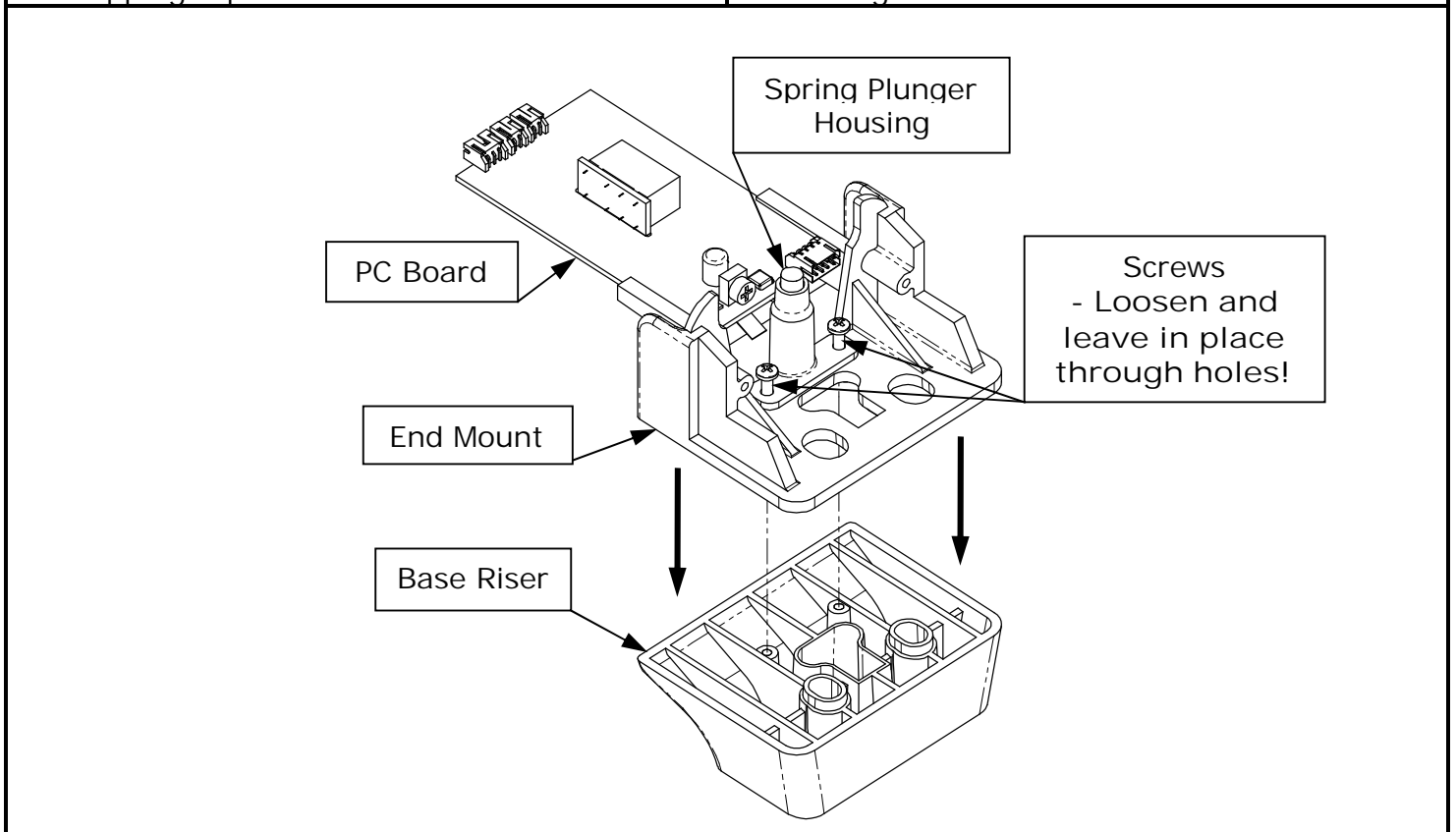
DIRECT TSB-C MOUNT TO BAR END FOR THE DSB SERIES INSTALLATION INSTRUCTIONS

1 DISASSEMBLE END OF BAR



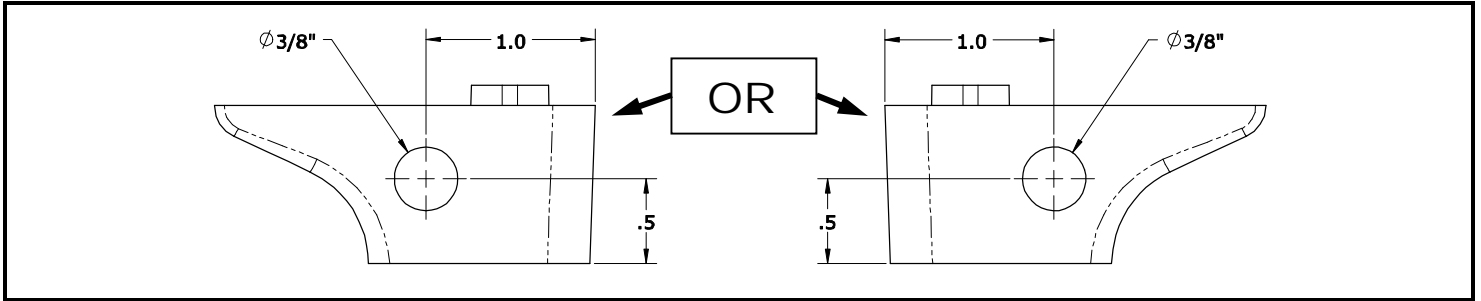
1. Using a #1 Phillips head screwdriver, remove the two screws and end cap.
2. Using a #2 Phillips head screwdriver, loosen the bar end cover screws and remove the shipping clip.

3. Carefully withdraw the end mount assembly with the PC board from the end of the bar making sure that the lever of the limit switch (under the PC board) does not get dislodged from the switch.



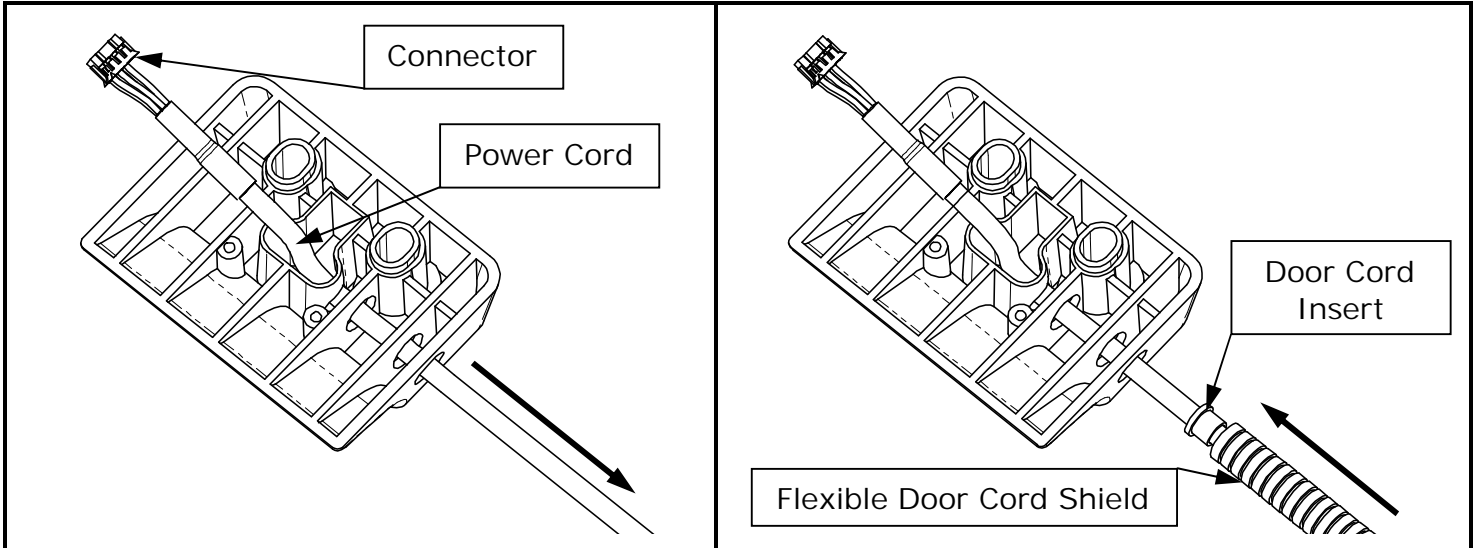
4. Using a #1 Phillips screwdriver, back out the two (2) screws to release the base riser from the rest of the end mount assembly.
 NOTE: These screws should remain in place (in the holes of the spring plunger housing and end mount) – This will help keep the plunger housing in place for time of reassembly. (If the PC board and plunger assembly happen to come out of the end mount, see procedure in step 4 for reassembly).
5. Place the end mount (with the PC board, plunger and screws) aside for reuse.

2 DRILL HOLE IN BASE RISER

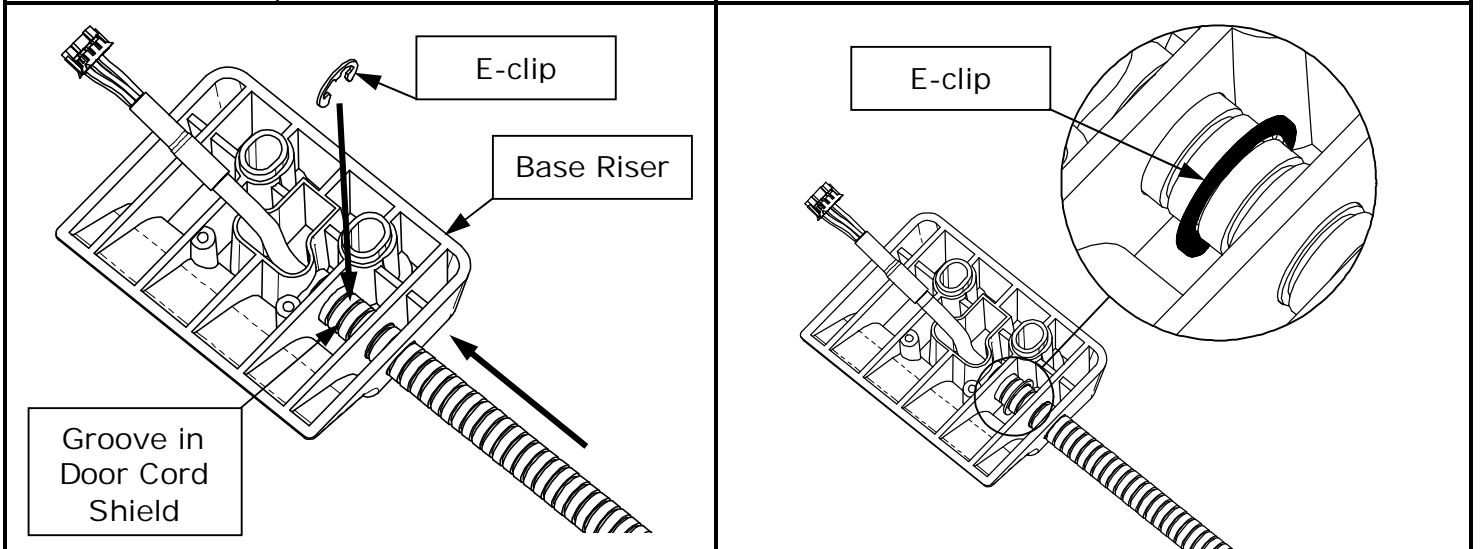


1. Determine which side of the base riser to feed the flexible door cord shield into.
2. Scribe and/or center punch the base riser at location shown.
3. Using a drill with a 1/8" diameter bit, create a "pilot" hole at the location shown. Drill through the internal ribs and into the wire feed-thru channel in the center of the base riser.
4. Using a 3/8" diameter drill bit, follow the pilot hole to open up the holes in the part to 3/8".

3 INSTALL POWER CORD AND FLEXIBLE DOOR CORD SHIELD

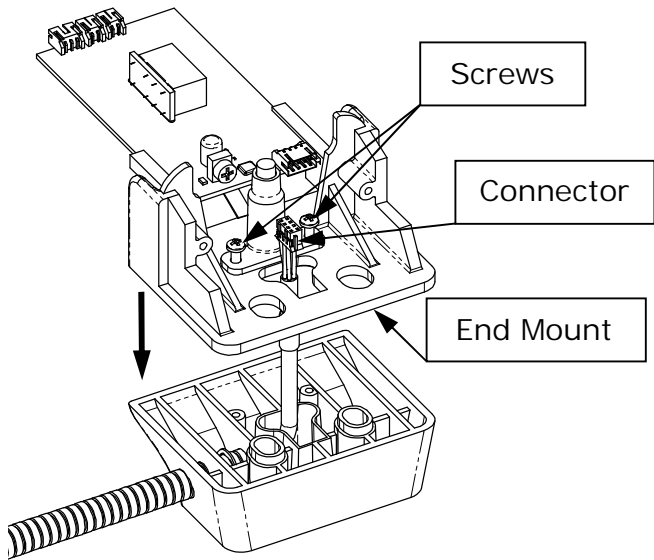
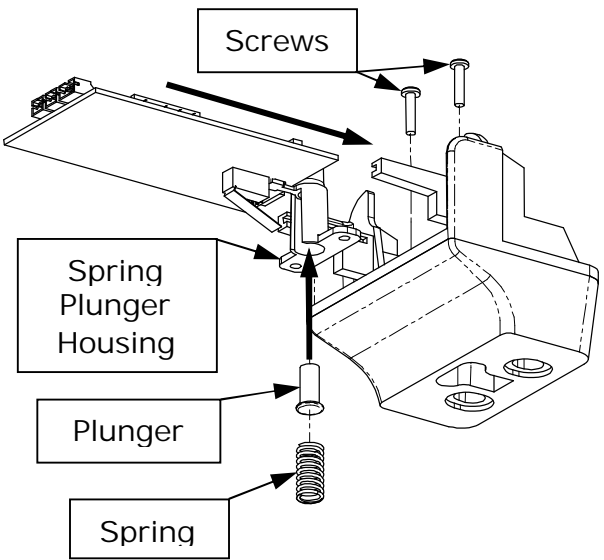


1. Unroll the DSB power cord and feed the non-connector end down through the wire feed-thru channel, the drilled holes and out the side of the base riser as shown.
2. Leave about a 6-inch loop from the hole in the side of the base riser to the end of the connector (to allow for connection to the PC board later).
3. Insert the door cord insert into the end of the flexible door cord shield.
4. Slide the flexible door cord shield (door cord insert first) over the power cord from the non-connector end and up to the hole in the side of the base riser as shown.

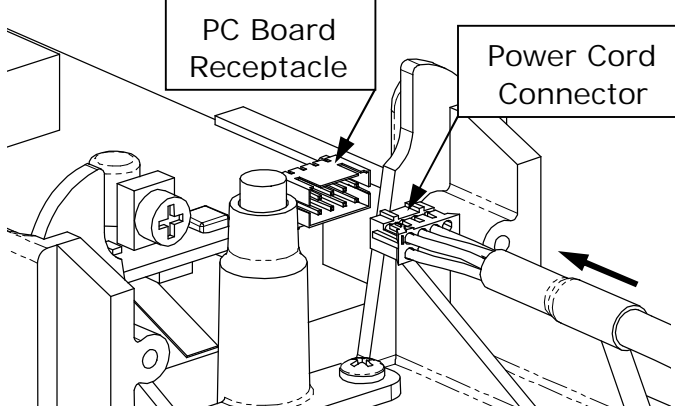
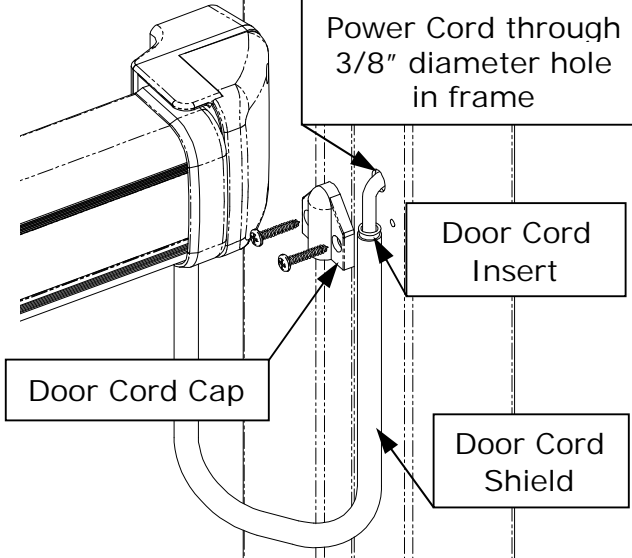


5. Insert the door cord shield through the holes drilled in the part and up to the wire feed-thru channel in the base riser.
6. Using needle-nose pliers, install the E-clip into a groove on the door cord shield between the internal part ribs as shown.

4 REASSEMBLE END MOUNT ASSEMBLY

	<p>LE the PC board and plunger slide out of the end mount:</p> 
<ol style="list-style-type: none"> 1. Insert connector of power cord through wire feed thru hole in the end mount and assemble the end mount to the base riser as shown. 2. Using a #1 Phillips screwdriver, reassemble the spring plunger housing to the base assembly as shown. Do not overtighten screws! – they may strip the holes in the plastic base riser. 	<p>NOTE: The PC Board is glued to the plunger which is a spring loaded assembly. If the PC board/plunger ever become dislodged from the end mount assembly:</p> <ul style="list-style-type: none"> • Reinstall spring and plunger into the housing. • Align PC board into slotted rails of end mount. • Compress spring into housing to clear the base of the end mount while carefully sliding the PC board back into position. • Reinstall two (2) screws.

5 ASSEMBLE BAR TO DOOR

	
<ol style="list-style-type: none"> 1. Plug the power cord connector into the receptacle on the PC board. 2. Insert the end mount assembly with the PC board attached back into the end of the bar. 3. Reinstall the shipping clip if necessary to hold the bar together throughout the remaining installation process. 4. Install the DSB to the door as prescribed in the DSB installation and operation instruction manual. (After the bar has been installed, the shipping clips may be removed). 	<ol style="list-style-type: none"> 5. Drill a 3/8" diameter hole in the door frame adjacent to the bar end mount as shown. 6. Install door cord insert over end of power cord and slide up and into the loose end of the flexible door cord shield. 7. Pull power cord through frame and make electrical connections. 8. Install the door cord cap over the power cord and door cord shield as described in the DSB installation and operation manual.