

RECESSED MAGNALOCK MODEL M34R SERIES INSTALLATION AND OPERATING INSTRUCTIONS

1. INTRODUCTION

The Securitron Series of Recessed Magnalocks were designed for installations where concealed, mortise type mounting in the door and frame is desired. The M34R was designed to operate primarily with sliding type doors and are usually installed vertically for proper operation.

The M34R lock is also available with the following features:

The *BondSTAT* "B" Series, Bond Sensor, monitors the magnetic field. An internal sensor activates a SPDT dry contact relay connection designed for interface to access control and/or alarm systems for reporting the status of the Magnalock. (See **Section 5.5.2**)

The *DPS* "D" Series, Door Position Sensor, is activated by a special magnetic strike armature assembly. The isolated SPDT reed switch, with an internal resettable protection device, is designed for interface to access control and/or alarm system for door status. (See **Section 5.5.2**)

2. SPECIFICATIONS

MODEL	M34R
Holding Force	500 Lbs [227 kg]
Dimensions: Length	10.55" [275mm]
Height	1.5" [38mm]
Depth	1.19" [30mm]
Dual Voltage	12/24 Volts DC
Current: @ 12 VDC	320mA
@ 24 VDC	170mA
Capacitance: @ 12 VDC	6.8 mF
@ 24 VDC	6.8 mF
BondSTAT Rating	Voltage: 30 VDC (Maximum) Current: 1 Amp (Maximum)
DPS Rating	Voltage: 30 VDC (Maximum) Current: 125 mA (Maximum)

3. PRODUCT OVERVIEW

Upon unpacking this product, an inventory should be made to ensure that all the required components and hardware have been included. Along with these instructions and the installation template, each product should include the following items:

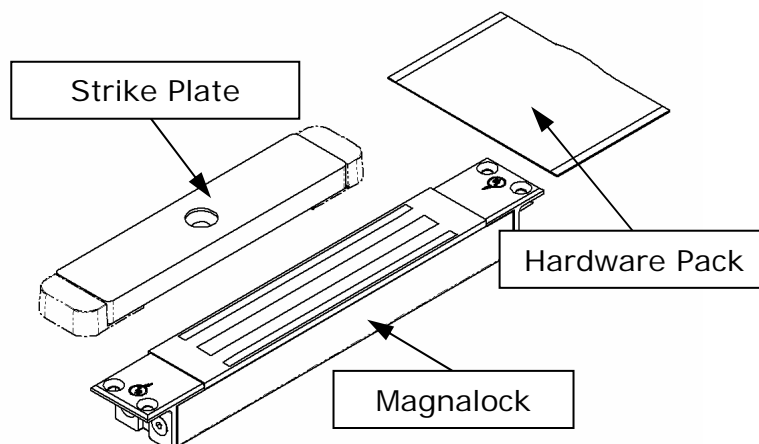


Figure 1 – M34R Series Magnalock

4. RECOMMENDED TOOLS

Router or Saber Saw

Hammer

Chisel

Center Punch

Power Drill

9/64", 13/64", 5/16" and 3/8" Drill Bits

5/8" Diameter X 82° Countersink Bit

Phillips and Standard Screwdrivers

1/8" Hex Key (Allen Wrench) - included

Measuring Instrument (Ruler/Tape Measure)

Masking Tape

Fish Tape or Lead Wire

Wire Strippers/Cutter

Crimp Wire Connectors

Crimp Tool

Multimeter

5. INSTALLATION INSTRUCTIONS

5.1 Pre-Installation Survey

It is recommended that an initial on sight survey be performed. A method of mounting should be determined and an installation plan should be reviewed as follows:

- Physical strength of mounting areas should be strong enough to meet or exceed the holding force of the required Magnalock.
- Placement of the Magnalock wiring and protection from potential damage due to intruders or vandals external attack should be considered during the survey.
- Accessibility should be considered for prevention of any potential safety hazard.

The door and frame areas additionally need to be examined for mortising capabilities, sufficient size and should be free of any internal obstructions.

5.2 Sliding Door

The illustrations in **Figure 2** demonstrate a Recessed Magnalock installed in a sliding door. The Magnalock mounts recessed into the door frame and the strike assembly is mounted into the leading edge of the sliding door.

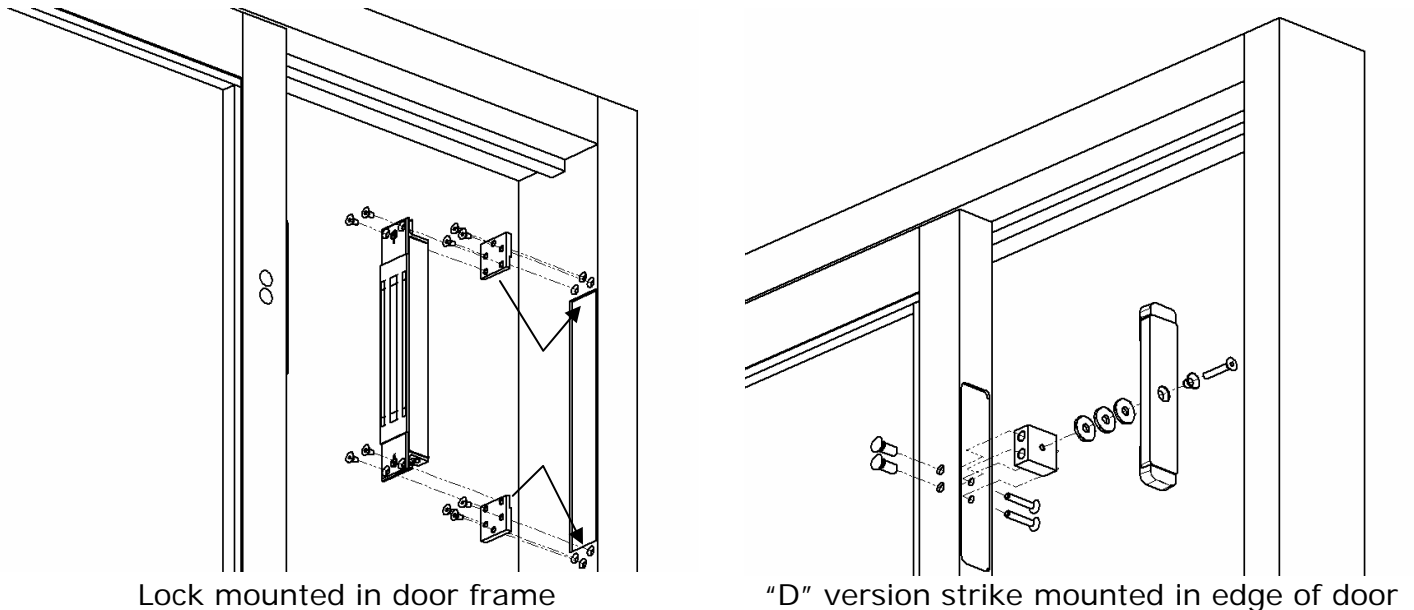


Figure 2 - Sliding door mounting configuration

5.3 Frame and Door Preparation

5.3.1 Frame Preparation

Select a mounting location for the lock and strike assembly as mentioned in **Section 5.1**. The following general guideline should be used for consideration during the installation review:

- *Read and follow the directions on the template provided which includes drilling and mounting instructions.*
- An approximated 2" [51mm] clearance distance should be allowed between the lock (mounting bracket) and the inside corner of the door frame. This will provide adequate access for the mounting locations and for drilling and tool access.

BEFORE CUTTING OR DRILLING ANY HOLES - ALWAYS CHECK THE STRIKE MOUNTING AREA IN THE EDGE OF THE DOOR FOR OBSTACLES WHEN PLANNING WHERE TO LOCATE THE LOCK. MAKE CERTAIN THAT THE STRIKE MOUNTING AREA DOES NOT HAVE ANY OBSTRUCTIONS (I.E. DOOR ADJUSTMENT SCREWS OR DOOR CLOSER OPERATORS) THAT MIGHT HINDER THE INSTALLATION.

- Horizontally mark the door face and the frame to identify the desired height location of the lock/strike installation.
- Locate and mark the desired vertical centerline position for the lock/strike assembly in the center of the leading edge of the door. Using this door mark as reference, mark the same vertical center location for the lock onto the door frame.
- Using the magnet body mounting information in **Section 5.4** and the lock template provided, center the appropriate template into position on the frame and mark the mortise cutout area.
- Using a router, saber saw, or chisel (for wood) cut out the area for the lock mounting. Insert the lock into the frame and mark the bracket locations for the mounting holes.
- Using the drill size information on the template and a power drill, bore the holes required for mounting.

5.3.2 Door Preparation

- Locate the previously marked horizontal and vertical centerlines for the strike assembly on the edge of the door.
- Using the strike assembly mounting information in **Section 5.5** and the strike template provided, align the template into position onto the frame and mark the mortise cutout area and the hole locations for the strike mounting block. (Note the different sizes for the cutout – the “D” version of the M34R requires the longer cutout to provide room for the door position actuators at each end of the strike).
- Using a router or saber saw cut out the area for the strike mounting.
- Using the drill size information on the template and a power drill, bore the holes required for mounting.

5.4 Mounting the Magnet Body

The desired cable exit location should be determined prior to installing the magnet body. The lock is symmetrical which allows the cable exit from the top or bottom of the door frame. There are many different techniques for mounting the lock depending on the type or style of doors and frames. The following sections describe installation methods for use on hollow aluminum, steel and wood type doors and frames.

5.4.1 Hollow Metal Door Frames

Prepare the door frame in accordance with **Section 5.3.1**.

Place the lock body into the cutout area to ensure proper fit. As necessary, perform any filing or cutting necessary to ensure the mortised fit. Ensure all necessary holes required to mount the magnet body and flush mount brackets into place as indicated on the template have been provided. Install the lock using a hex wrench, the listed mounting screws and the flush mount brackets as shown in **Figures 3** and **4** below. The adaption to variation in frame material thicknesses can be obtained by flipping the orientation of the flush mount brackets. Shim plates are also provided which may be used in conjunction with the flush mount brackets to create the desired exposed height of the lock and/or to compensate for the various material thicknesses of door frames. It is recommended that the magnet face protrude approximately 1/16” [1.5mm] beyond the surface of the frame. Both **Figures 3** and **4** show a shim plate between the lock mounting bracket and the flush mount bracket in order to raise the magnet above the frame surface.

Flat Head Screws	M34R
Unified	10-32UNC x 3/8”
Metric	M5-0.8 x 10mm

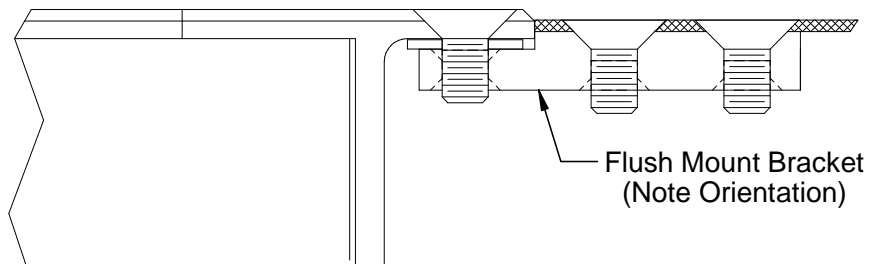


Figure 3 - Flush mount bracket mounting (thin wall frame)

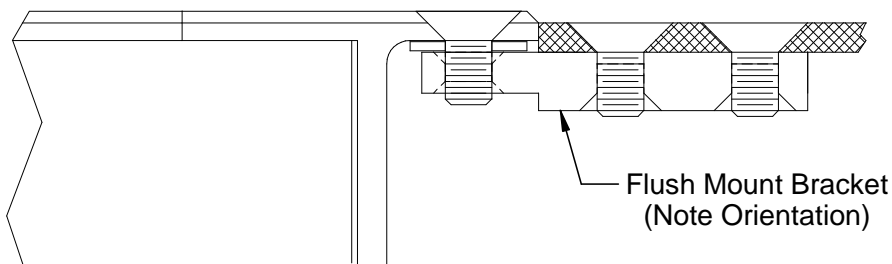


Figure 4 - Flush mount bracket mounting (thick wall frame)

APPLY THE PROVIDED THREAD LOCKING COMPOUND TO ALL MOUNTING SCREW THREADS.

5.4.2 Solid Wood Door Frames

Prepare the door frame in accordance with **Section 5.3.1**.

Place the lock body into the cutout area to ensure proper fit. As necessary, perform any filing or chiseling necessary to ensure the mortised fit. Ensure all necessary holes required to mount the magnet body into place as indicated on the template have been provided. The depth of the mortise cut out is important depending on the lock model being installed. The minimum depth of the cut out is noted in **Figure 5** below and includes enough distance for the required recess depth of 1/16" [1.5mm] for the mounting brackets. Install the lock using the wood mounting screws as shown in **Figure 5**.

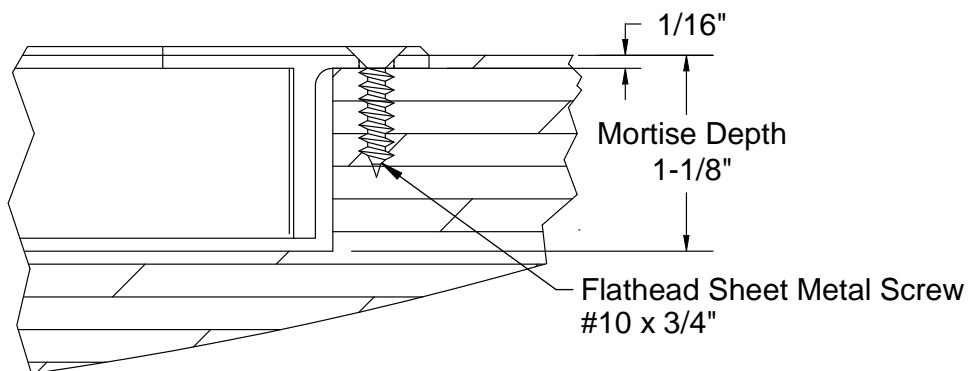


Figure 5 - Wood frame lock bracket mounting

5.5 Mounting the Strike Assembly

5.5.1 Hollow Metal Door

Prepare the door in accordance with **Section 5.3.2**.

Using the provided template and **Figure 2** for reference, install the strike mounting block into the edge of the door using a hex wrench and the provided mounting screws and sex bolts. Assemble the strike to the mounting block using the strike mounting screw, plastic strike bushing and one, two or three of the rubber washers to complete the installation.

APPLY THE PROVIDED THREAD LOCKING COMPOUND TO ALL MOUNTING SCREW AND SEX BOLT THREADS.

5.5.2 Lock/Strike Installation for "B" and "D" M34R Locks

IMPORTANT!

PLEASE READ AND APPLY THIS INFORMATION WHEN ALIGNING/INSTALLING THE LOCK AND STRIKE. THE ALIGNMENT TOLERANCES INDICATED FOR THE M34R LOCK MODEL ARE CONSIDERED CRITICAL FOR THE PROPER OPERATION OF BOTH THE MAGNETIC BOND SENSING (MBS) AND DOOR POSITION SENSING (DPS) SYSTEMS!

SENSOR RANGES (PHYSICAL POSITIONING):

The *BondSTAT* "B" and DPS "D" Magnalock "Secure Zone" sensing range for the M34R lock model is as follows:

Secure Sensor Indication Range (Dimensions from Center)		
Model	"X" (+/-)	"Y" (+/-)
M34R	5/32"	5/64"

Table A

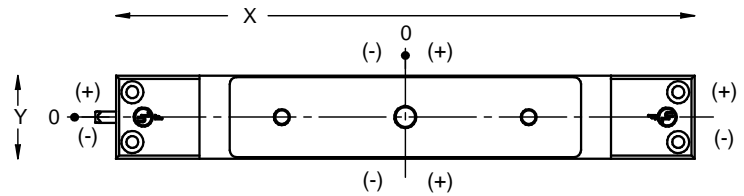


Figure 6

(The **Figure 6** illustration is a visual reference to the sensing range outlined in **Table A**).

6. ELECTRICAL INSTALLATION

6.1 General Characteristics

The Magnalock is a low current load device using specialized internal circuitry. The normal characteristic of an inductive load, such as inductive kick-back, is not present. See **Section 2** for more information.

6.2 Electrical Standards

DC voltage, full-wave rectified, must be provided for proper operation of the Magnalocks. The red wire receives +12VDC or +24VDC, and the black wire, 0 Volts (negative). If the lock is connected with reverse polarity, it will not operate. The M34R Series Magnalocks are auto sensing dual voltage locks. The Magnalock circuit design will automatically select the proper operational conditions for the applied voltage. See **Section 2** for more information.

6.3 Poor Release Characteristics

The M34R Magnalock is designed with quick release circuitry. Wiring errors may cause a Magnalock to release slowly. **Figure 7** illustrates a parallel installation of a resistive load (correct). **Figure 8** illustrates a parallel reverse diode (incorrect).

**SLOW RELEASE PREVENTION
(WIRING CONSIDERATION)**

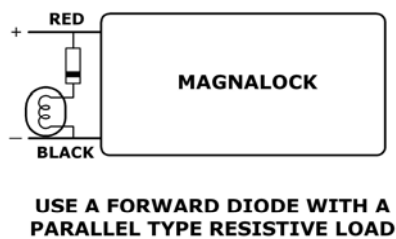


Figure 7

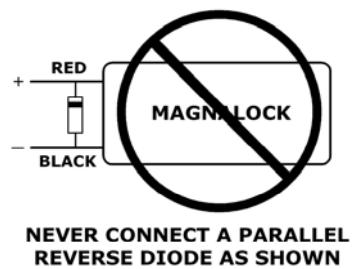


Figure 8

6.4 Sensor Ranges (ELECTRICAL)

The M34R "B" version monitoring system is also voltage sensitive. The specified voltage ranges must be properly applied. Refer to **Section 2** for the recommended operating voltage ranges.

6.5 Electrical Wiring

The following diagrams, **Figures 9, 10, 11 and 12** represent the proper electrical wiring connections required for the M34R Magnalock Standard, and for the BondSTAT "B", DPS "D" and "BD" versions.

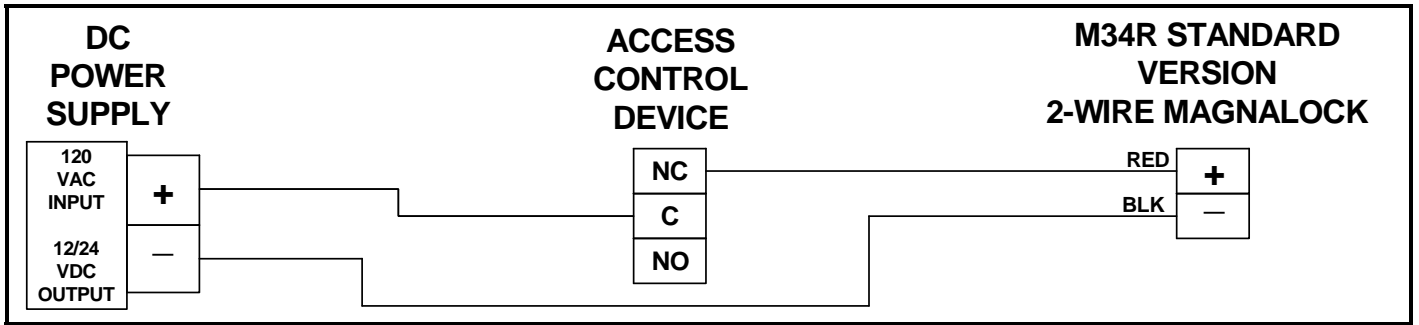


Figure 9

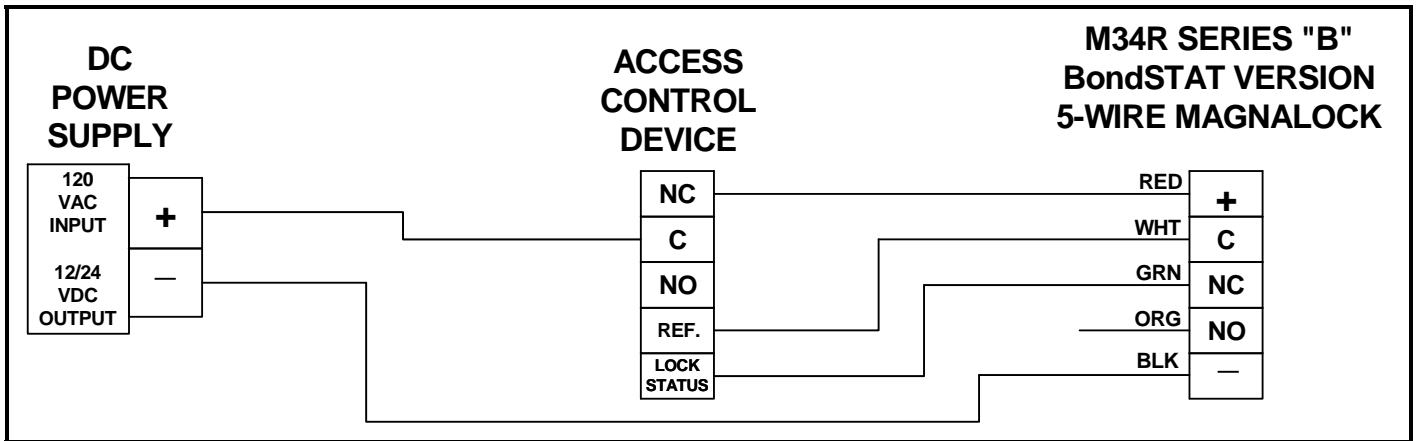


Figure 10

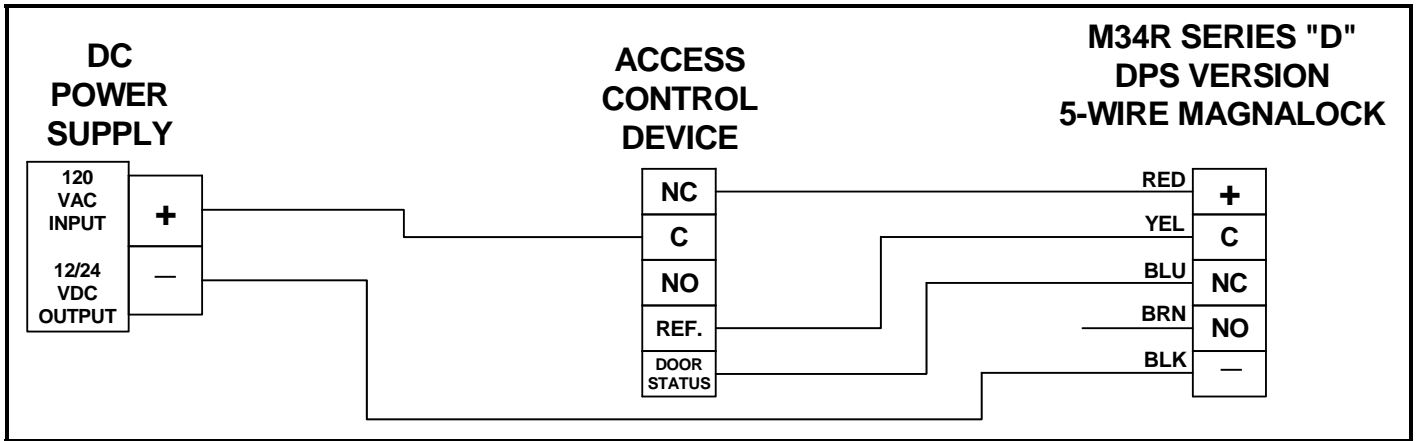


Figure 11

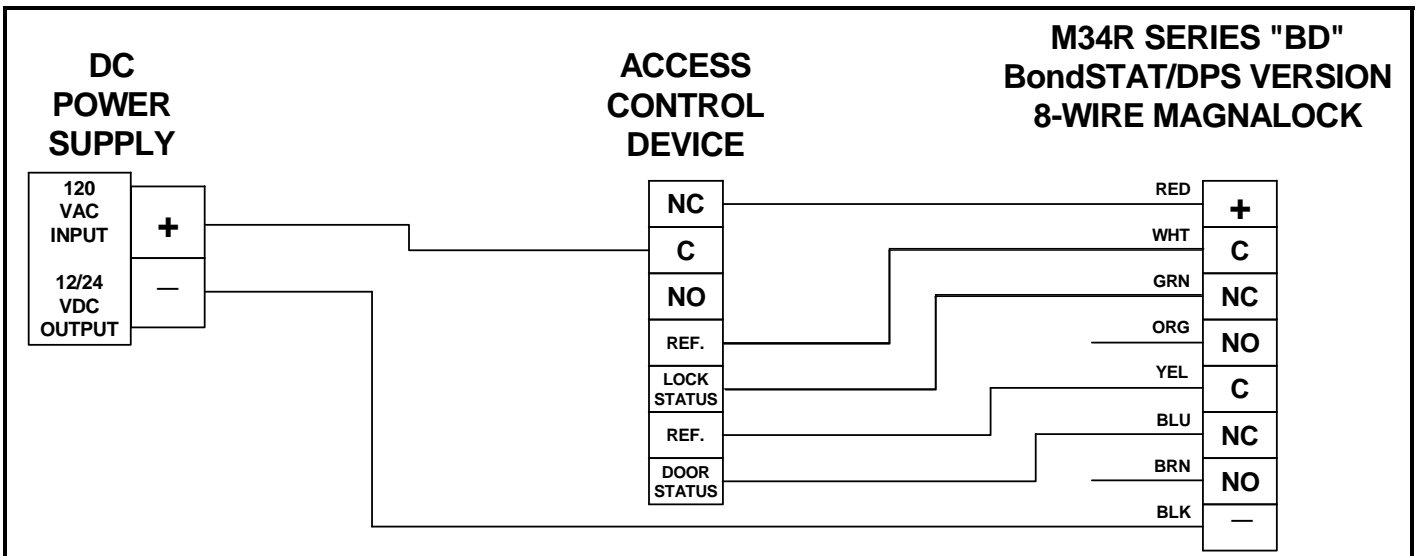


Figure 12

6.6 **BondSTAT Sensor status wiring description**

- The green and white wires supply electrical connection when the lock is ON and secure.
- The orange and white wires supply electrical connection when the lock OFF or unsecure.

6.7 **DPS – Door Position Sensor status wiring description**

- The blue and yellow wires supply electrical connection when the door condition is closed.
- The brown and yellow wires supply electrical connection when the door condition is open.

6.8 **Emergency Release**

Magnalocks are often wired into a system for quick release in case of emergency. Manual switching or automatic triggering from a fire alarm system is practical. It is the user's responsibility to correctly hookup the Magnalock according to the instructions. It is recommended to use a switch or relay to perform break of power. Securitron power supplies have terminals for the interconnection of such emergency release switches.

THE END USER & INSTALLER ARE LIABLE FOR FIRE & BUILDING CODES COMPLIANCE

7. **MAGNALOCK MAINTENANCE**

7.1 **Visual Inspection**

- Check the rubber washers for elasticity and proper pivoting. Tighten as required.
- Check for build-up of debris on the Magnalock and strike armature. Clean as required.
- Check for rust on the Magnalock and strike assembly. Clean as required.

7.2 **Cleaning Methods**

- Cleaning once a year is recommended.
- Clean every six months where minor rusting occurs.
- Clean every three months if rust conditions are severe.
- Use a plastic dishwashing scrub pad to aid in the removal of rust.

***DO NOT USE PETROLEUM BASED PRODUCTS FOR CLEANING
DO NOT USE STEEL WOOL BASED SCRUB PAD OR SANDPAPER***

7.2.1 **Indoor Applications**

- Apply rubbing alcohol onto a clean cloth and thoroughly wipe down the Magnalock and strike plate armature.

7.2.2 **Outdoor Applications**

- Apply a silicone based cleaner/lubricant onto a clean cloth and thoroughly wipe down Magnalock and strike plate armature.

Example: Super Lube® Aerosol with SYNCOLON® (PTFE)
Part No.: 31040 ~ 6oz. / 31110 ~ 11 oz. / 32015 ~ 14 oz.
Phone: (631) 567-5300 / Website: www.super-lube.com

8. **MAGNACARE® LIFETIME REPLACEMENT WARRANTY**

For warranty information visit www.securitron.com/en/site/securitron/About/MagnaCare-Warranty/

PATENTS

The Securitron Magnalock is listed under U.S. patent #4,516,114 and 4,682,801.

Additional patents pending.

APPENDIX A
Troubleshooting

Problem	Lock Does Not Generate a Magnetic Field	Points of Reference
Solution	Check for specified voltage at Magnalock	Section 2
	Check for specified current draw at Magnalock	Section 2

Problem	Reduced Holding Force	Points of Reference
Solution	Check DC power source is Full-Wave Rectified (Half-wave Rectifier or AC Power unacceptable)	Section 6.2
	Check for specified voltage at Magnalock	Section 2
	Check for specified current draw at Magnalock	Section 2
	Check strike mounting for proper installation	Sections 5.2-5.5
	Check the Magnalock and strike for obstructions and that contact surfaces are properly cleaned	Section 8

Problem	BondSTAT Does Not Report Secure	Points of Reference
Solution	Check for specified voltage at Magnalock	Section 2
	Check for specified current draw at Magnalock	Section 2
	Check strike mounting for proper alignment and pivoting for proper closure to Magnalock	Table A / Section 5.5.2
	Check the Magnalock and strike for obstructions and that contact surfaces are properly cleaned	Section 7

Problem	DPS Does Not Report Door Status	Points of Reference
Solution	Check strike mounting for proper alignment	Table A / Section 5.5.2
	Check for proper door closure	Section 7
	Check for proper voltage/current on switch	Section 2
	Check resettable protection device	Section 1

Problem	The Magnalock Does Not Release	Points of Reference
Solution	Make sure no voltage is present at Magnalock	Section 2
	Make sure the Magnalock is not drawing current	Section 2
	Check if the strike is sticky and hard to release	Section 7
	Check the Magnalock and strike for obstructions and that contact surfaces are properly cleaned	Section 7

Problem	The Magnalock is Dirty or Rusty	Points of Reference
Solution	Improper cleaning – Maintenance Equipment	Section 7

Problem	Electronic Noise Interference with Access Control System	Points of Reference
Solution	Check for voltage from Magnalock to door frame. There should be no voltage present.	Section 2

**IF PROBLEMS PERSIST CALL SECURITRON TOLL FREE
(800) MAG-LOCK
(800) 624-5625**

Appendix B

Wire Gauge Factoring

1.1 Remote Power Supply

- The Magnalock requires adequate voltage and current for proper operation.
- Resistance is created by the length and gauge (size) of the wire being used.
- An accurate estimated distance from the power supply to the opening is crucial.
- For superior operation the correct size gauge wire must be used.
- The devices used operate the best with the least amount of resistance on the source.
- Using the correct gauge wires protects against large voltage and current (load) losses.
- The gauge is determined by the wire distance, voltage and current of all devices.

1.2 Determining Wire Gauge

- Follow **Example A** (*12VDC system*) and **Example B** (*24VDC system*) below.
- Use **Tables 1** and **Table 2** to choose the correct wire gauge for the application.

1.2.1 Example A: (*12VDC system*)

Devices Used	Amps (12VDC)	Progressive Totals
M34R Magnalock	0.320	0.320
DK-26 Access	0.160	0.480
XMS Motion	0.050	0.530
EEB2 Timer	0.025	0.555
Total Current Rounded Up (Table 1)		0.600A

Using **Table 1** (*12VDC*) Find: - Current Draw .600 Amps
- Wire Distance 200 Feet (One-Way)

Solution: 18 Gauge is indicated for proper installation

1.2.2 Example B: (*24VDC system*)

Devices Used	24VDC Amps	Progressive Totals
M34R Magnalock	0.170	0.170
DK-11 Access	0.070	0.240
XDT-24 Delay	0.050	0.290
Total Current Rounded Up (Table 2)		0.300A

Using **Table 2** (*24VDC*) Find: - Current Draw .300 Amps
- Wire Distance 1000 Feet (One-Way)

Solution: 16 Gauge is indicated for proper installation

TO SOLVE: INTERSECT ROW (Current) and INTERSECTING COLUMN (Wire Distance)

CURRENT	1.0A	20 Gauge	18 Gauge	16 Gauge	14 Gauge	14 Gauge	12 Gauge	10 Gauge	10 Gauge	8 Gauge
	.800A	22 Gauge	18 Gauge	18 Gauge	16 Gauge	14 Gauge	12 Gauge	10 Gauge	10 Gauge	8 Gauge
	.600A	22 Gauge	20 Gauge	18 Gauge	18 Gauge	16 Gauge	14 Gauge	14 Gauge	12 Gauge	10 Gauge
	.400A	22 Gauge	22 Gauge	20 Gauge	18 Gauge	18 Gauge	16 Gauge	14 Gauge	14 Gauge	12 Gauge
	.300A	24 Gauge	22 Gauge	22 Gauge	20 Gauge	18 Gauge	18 Gauge	16 Gauge	14 Gauge	14 Gauge
	.200A	24 Gauge	22 Gauge	22 Gauge	22 Gauge	20 Gauge	18 Gauge	18 Gauge	16 Gauge	14 Gauge
12VDC	50' [15m]	100' [30m]	150' [46m]	200' [61m]	300' [91m]	400' [122m]	500' [152m]	750' [229m]	1000' [305m]	
	WIRE DISTANCE									

Table 1

CURRENT	1.0A	22 Gauge	20 Gauge	20 Gauge	18 Gauge	16 Gauge	14 Gauge	14 Gauge	12 Gauge	10 Gauge
	.800A	22 Gauge	22 Gauge	20 Gauge	18 Gauge	18 Gauge	16 Gauge	14 Gauge	14 Gauge	12 Gauge
	.600A	24 Gauge	22 Gauge	22 Gauge	20 Gauge	18 Gauge	18 Gauge	16 Gauge	14 Gauge	14 Gauge
	.400A	24 Gauge	22 Gauge	22 Gauge	22 Gauge	20 Gauge	18 Gauge	18 Gauge	16 Gauge	14 Gauge
	.300A	24 Gauge	24 Gauge	22 Gauge	22 Gauge	22 Gauge	20 Gauge	20 Gauge	18 Gauge	16 Gauge
	.200A	24 Gauge	24 Gauge	24 Gauge	22 Gauge	22 Gauge	22 Gauge	20 Gauge	20 Gauge	18 Gauge
24VDC	50' [15m]	100' [30m]	150' [46m]	200' [61m]	300' [91m]	400' [122m]	500' [152m]	750' [229m]	1000' [305m]	
	WIRE DISTANCE									

Table 2

- The Wire Distance indicated on the table above represents a 2-wire "One-Way" length from the power supply source to entryway installation area.
- The Gauge values specified on the table above represent a 2-wire "Round Trip" length from the power supply source to entryway installation and returning back to the power supply source.

IMPORTANT

THE 200' [61m] WIRE RUN IN EACH TABLE FACTORS A 400' [122m] ROUND TRIP