

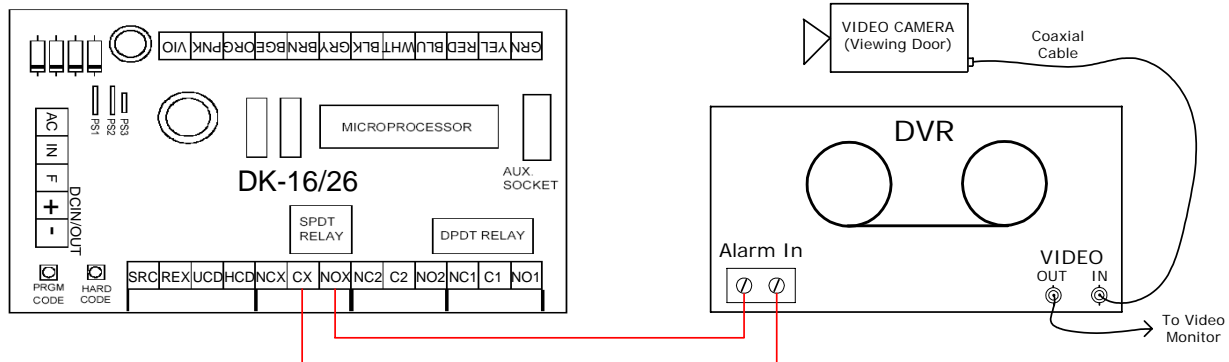
≡ SECURITRON QUICK TIP ≡

QUICK TIP NUMBER: QT-DK-16/26-4

PRODUCT: DK-16 or DK-26 Series Digital Keypads

DESCRIPTION: It is possible to use the Digital Keypad's Programmable Relay to trigger a Time Lapse Video Recorder or Digital Video Recorder (DVR) equipped with an alarm input to record each transaction of the keypad. Any time a key on the keypad is pushed the programmable relay will fire for five seconds to activate the recorder or DVR giving you a visual record of the entry or attempted entry.

The first thing that you must do is wire the Digital Keypad as shown below (this is in addition to wiring for power, locks, etc). Enter the Program Mode and press in code **76** at the keypad. Code 76 will activate the programmable relay function. Please note that the Door Bell Function or any other function involving the programmable relay will not be available once this function is programmed.



Wiring a DK-16 or DK-26 to Activate the Alarm input of Time Lapse Video Recorder or Digital Video Recorder (DVR) for a Visual Audit of Entries at the Keypad.