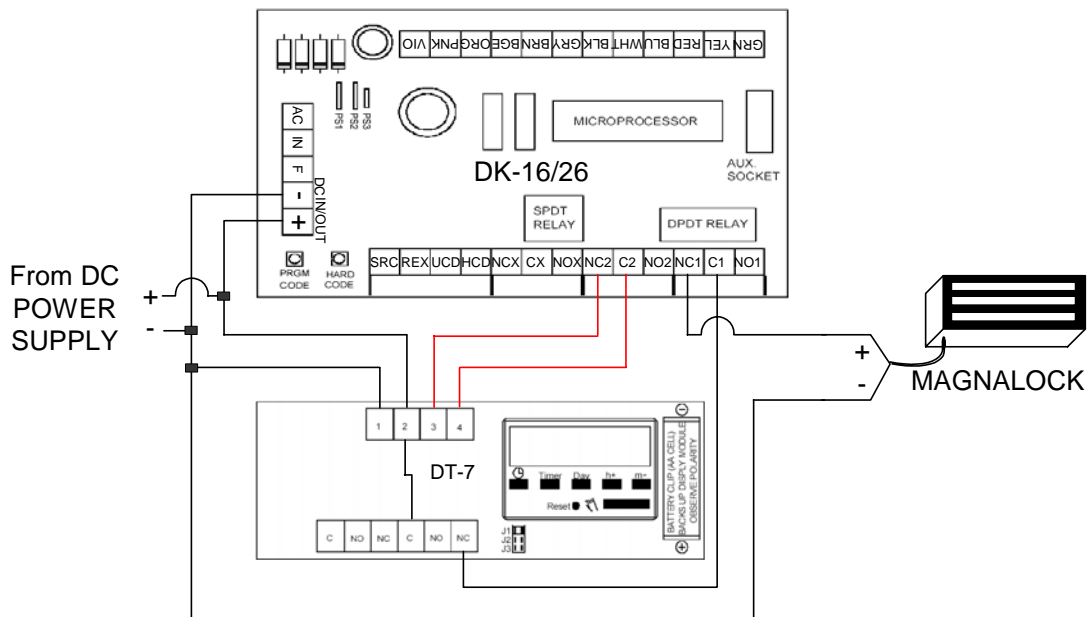


≡ SECURITRON QUICK TIP ≡

QUICK TIP NUMBER: QT-DT-7-2

PRODUCT: DT-7 Prime Time Seven Day Timer

DESCRIPTION: The DT-7 can automatically unlock a door at a preset time. However, it is often desired to delay this function until the first employee arrives. This function can be achieved when using a Fail Safe lock and the DK-16/26 series Digital Keypad wired as shown below. When the first valid code is entered at the Digital Keypad (after the scheduled unlock time) the door will unlock and remain unlocked until DT-7 is scheduled to relock the door. After hours the Digital Keypad will unlock the door as if it were a stand alone unit.



**Wiring the DT-7 FIRST MAN IN function with a DK-16 or DK-26
(using a Fail Safe lock)**