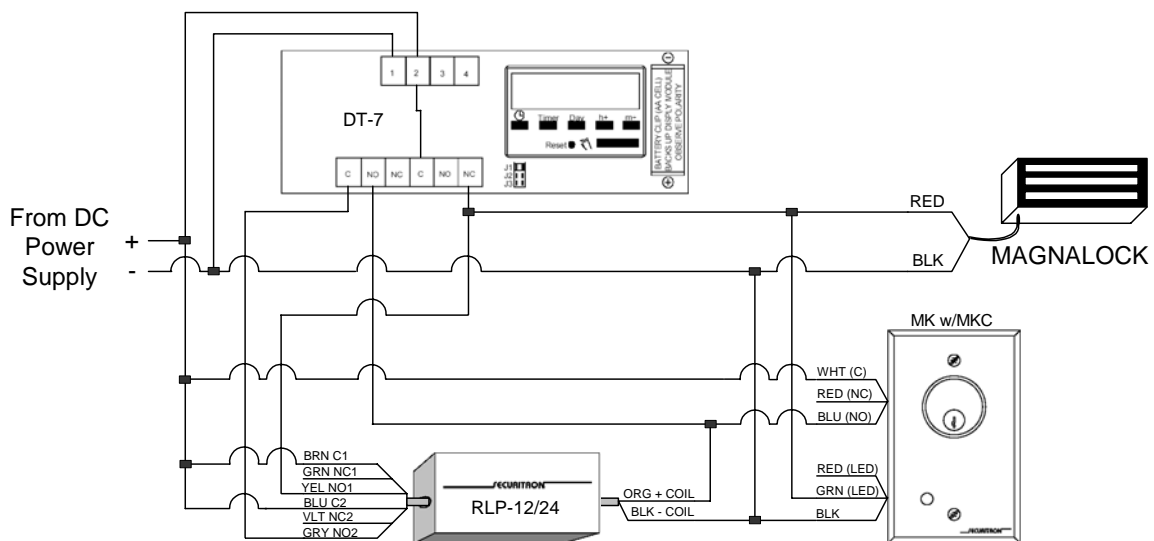


≡ SECURITRON QUICK TIP ≡

QUICK TIP NUMBER: QT-DT-7-4

PRODUCT: DT-7 Prime Time Seven Day Timer

DESCRIPTION: This drawing shows a wiring scheme to permit the early close of opening that is controlled by a DT-7. This requirement can come upon certain holidays or weather days that require early closing. The easy way of performing this function would be to go directly to the DT-7 and operate the Toggle Button (long push-button located under the h+ and m+ push-buttons). However, some installations have the DT-7 mounted in a secure area and the desire is to have a remote lock down. In this illustration we have added a RLP-12 or RLP-24 relay pack and a MK, Mortise Key switch. A Normally Open push button could be used in lieu of the MK. In this illustration simply turn the MK until the Green LED illuminates to secure the door. The door will unlock as programmed at the next scheduled opening.



Wiring the DT-7 for Remote Early Close