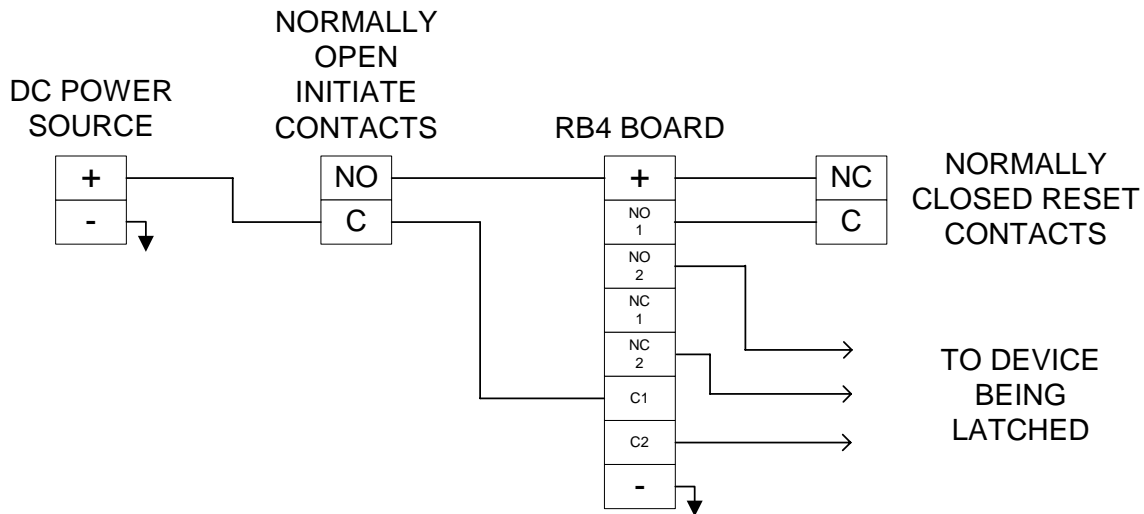


## ≡ SECURITRON QUICK TIP ≡

**QUICK TIP NUMBER:** QT-RB4-1

**PRODUCT:** RB-4-12 or RB-4-24

**DESCRIPTION:** Installations will often require a latching circuit, so that once triggered the circuit will stay in that mode until released. You will need the following items. A DC power supply (either 12VDC or 24VDC depending upon which model of RB-4 you are using), a normally open set of contacts to initiate the latch, and a normally closed set of contacts to reset the latch.



Using the RB-4 to create a Latching Circuit