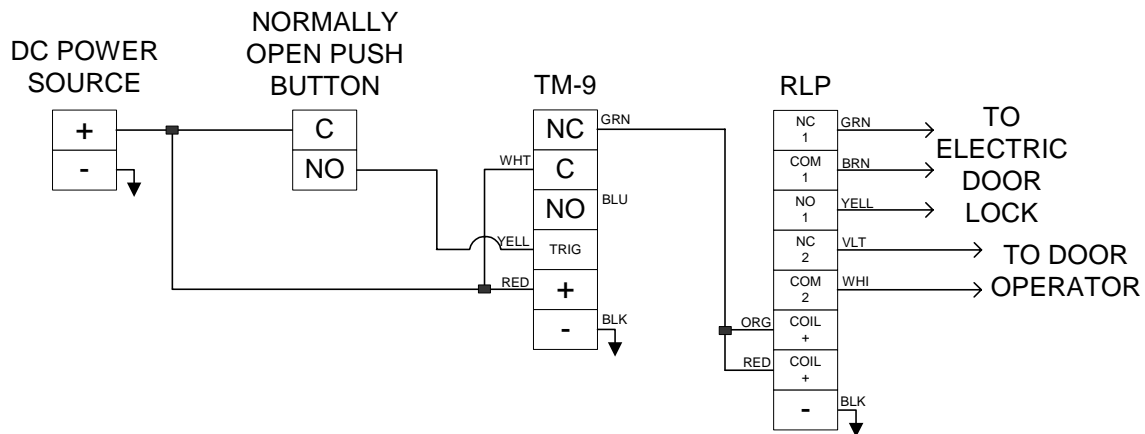


≡ SECURITRON QUICK TIP ≡

QUICK TIP NUMBER: QT-RLP-1

PRODUCT: RLP-12 or RLP-24 Relay Logic Pack

DESCRIPTION: When using an electric lock with a door operator it may be necessary to have a slight delay between the time that door lock is unlocked and the operator motor is actuated. This may be required so that the motor does not attempt to open the door before it is unlocked. The following circuit will give you that delay. Set your TM-9 for approximately 2 to 4 seconds. When you push the Normally Open Push Button it will trigger the TM-9 timer. The TM-9 timer will remove power from both coils of the RLP. When this happens the contacts connected to the electric lock will change state approximately 150ms before the contacts connected to the door operator.



Using the RLP to control a Door with both an Electric Lock and a Door Operator