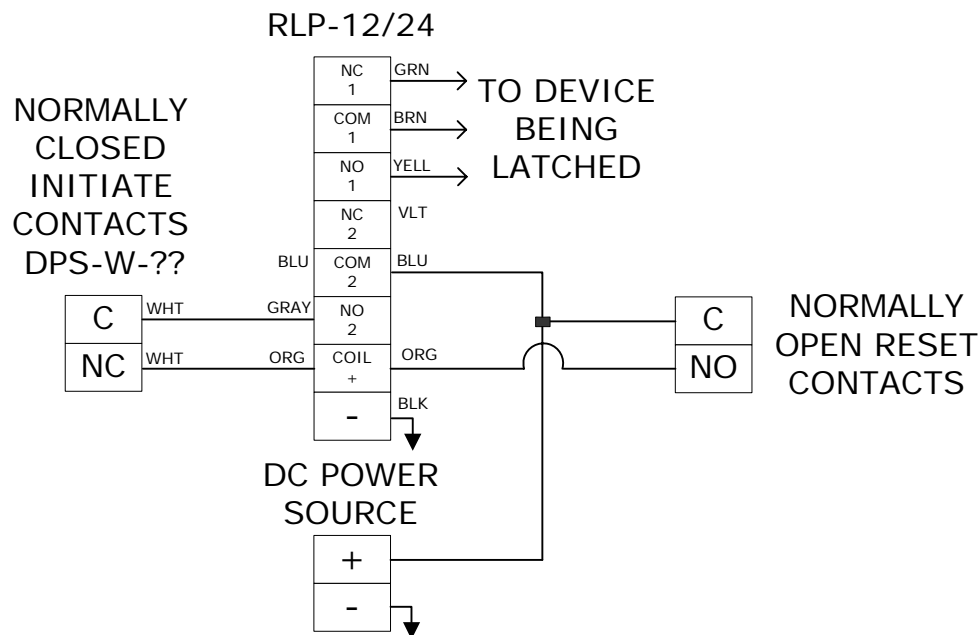


## ≡ SECURITRON QUICK TIP ≡

**QUICK TIP NUMBER:** QT-RLP-2/B

**PRODUCT:** RLP-12 or RLP-24

**DESCRIPTION:** Installations will often require a latching circuit, so that once triggered the circuit will stay in that mode until released. You will need the following items. A DC power supply (either 12VDC or 24VDC depending upon which model of RLP you are using), a normally closed set of contacts to initiate the latch (such as the Securitron DPS series Door Position Switch, and a normally open set of contacts (such as the Securitron MK series Key Switch to reset the latch. Please note that this configuration will go into immediate alarm when first powered, so it must be reset by the normally open contact to arm it.



Using the RLP to create a Latching Circuit