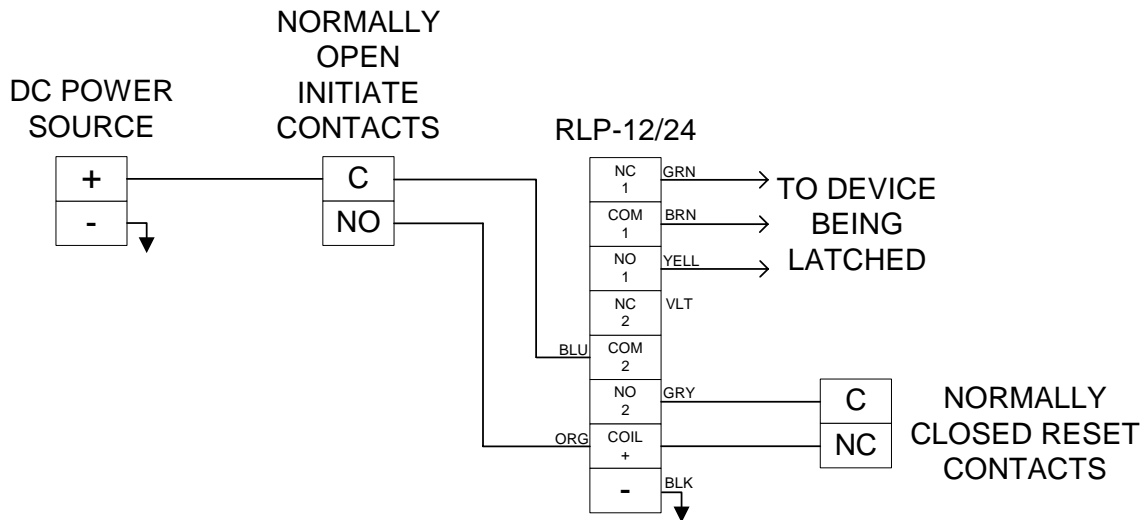


≡ SECURITRON QUICK TIP ≡

QUICK TIP NUMBER: QT-RLP-2

PRODUCT: RLP-12 or RLP-24

DESCRIPTION: Installations will often require a latching circuit, so that once triggered the circuit will stay in that mode until released. You will need the following items. A DC power supply (either 12VDC or 24VDC depending upon which model of RLP you are using), a normally open set of contacts to initiate the latch, and a normally closed set of contacts to reset the latch.



Using the RLP to create a Latching Circuit