

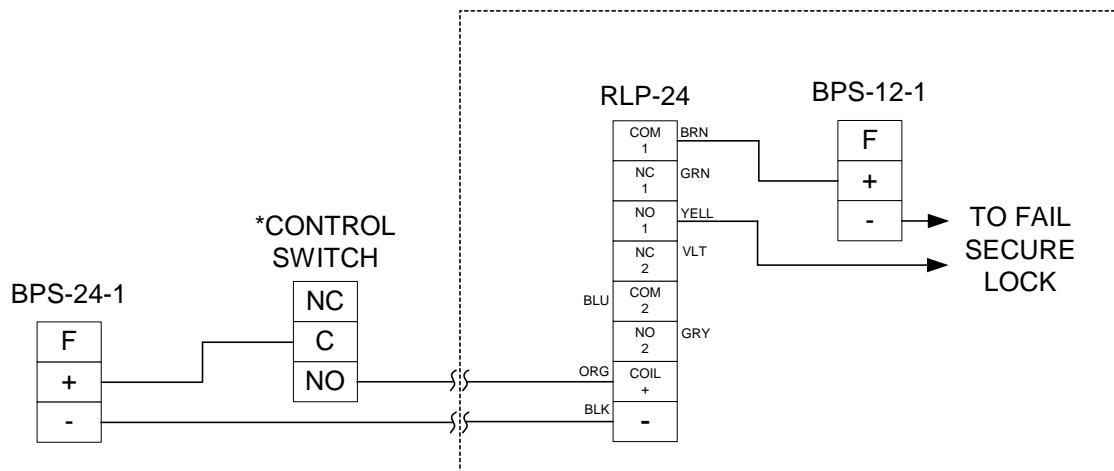
## ≡ SECURITRON QUICK TIP ≡

QUICK TIP NUMBER: QT-RLP-6

PRODUCT: RLP-12 or RLP-24

DESCRIPTION: To control a FAIL SECURE LOCK of different voltage (than the main power), the addition of a remote power supply and relay can act as a line POWER CONVERTER. This example shows a 24VDC main power source and a 12VDC power converter. The reverse scenario (12VDC main with 24VDC converter) could be accomplished by reversing the power supplies and using a RLP-12 relay pack. BPS-12-1 & BPS-24-1 are shown as examples only. Any appropriate 12VDC & 24VDC power supply combo could be used.

\*NOTE - CONTROL SWITCH COULD BE A LOCK CONTROL PANEL, A PUSH BUTTON OR ANY OTHER NORMALLY OPEN CONTROL DEVICE.



Using the RLP to Create a Power Converter (fail secure locks)