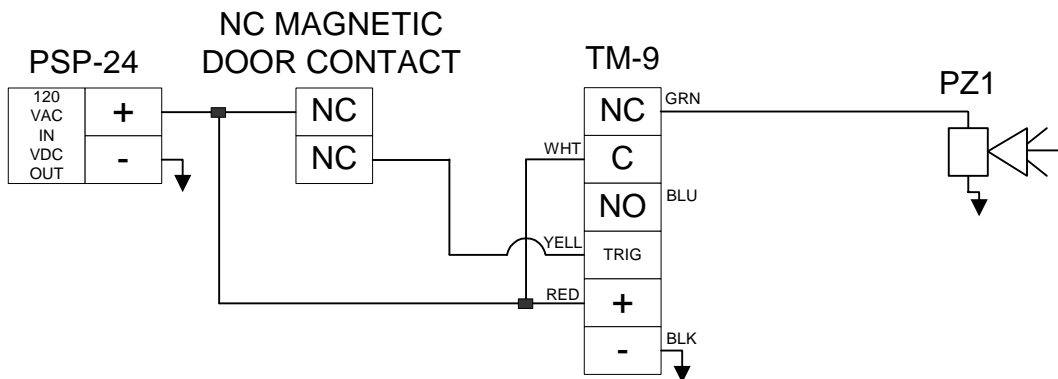


≡ SECURITRON QUICK TIP ≡

QUICK TIP NUMBER: QT-TM9-1

PRODUCT: TM-9 Time Mate Timer

DESCRIPTION: A low cost solution for someone needing a simple Door Prop Alarm. Items need: DC power, a normally closed door contact, a Securitron TM-9 timer, and an audible device such as the Securitron PZ1. When the door is opening the timer will begin timing (installer selectable from 2 to 36 seconds). At the end of the time cycle the audible will sound. It will continue to sound until the door is closed. Closing the door will automatically reset the alarm. See sample drawing below. If additional features are needed then refer to our full featured Door Prop Alarm the BA-DPA-12 or BA-DPA-24.



Using the TM-9 to create a low cost Door Prop Alarm