

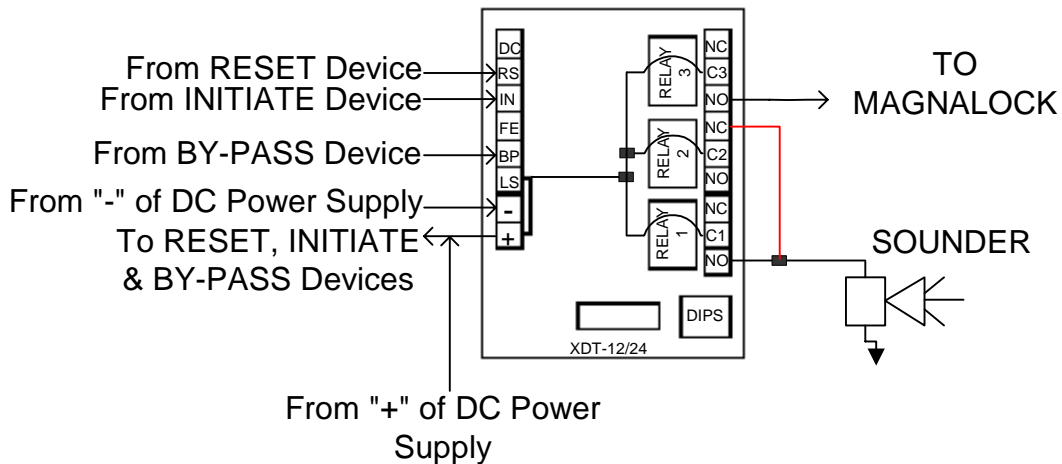
≡ SECURITRON QUICK TIP ≡

QUICK TIP NUMBER: QT-XDT-1

PRODUCT: XDT-12 or XDT-24 Exit Delay Timer

DESCRIPTION: The standard configuration of the XDT series of Exit Delay Timers will sound a local audible until the exit time delay expires and the door actually unlocks. When the door unlocks the sounder will go silent. The following configuration will cause the local audible to continue to sound until the XDT is reset.

Simply place a jumper between terminals "NC" of Relay 2 and "NO" of Relay 1. You will also need a jumper between the DC "+" terminal and the "C" terminal of Relay 2. Please note that this may make Relay 2 unavailable for remote alarm reporting. In that case you may wish to use the "NC" terminal of Relay 3 to connect to "NO" terminal of Relay 1 (assuming that you are not using the Delay Control Mode). Also note that the XDT will not reset until the actual exit delay time has expired.



Jumper Installation on a XDT series Exit Delay Timer for "Continuous" Sounder