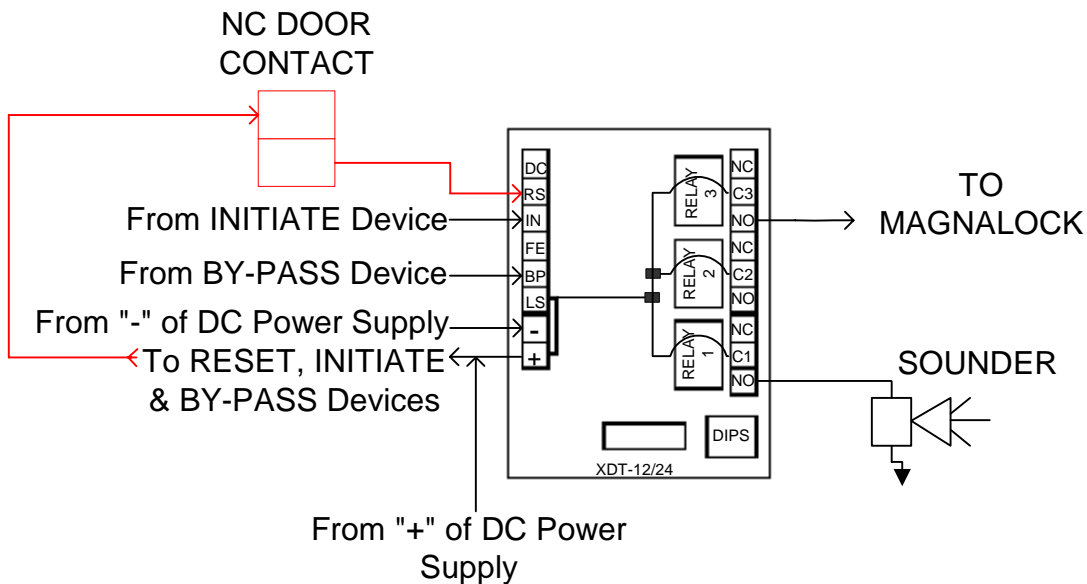


≡ SECURITRON QUICK TIP ≡

QUICK TIP NUMBER: QT-XDT-2

PRODUCT: XDT-12 or XDT-24 Exit Delay Timer

DESCRIPTION: On occasion there is a desire to create an "automatic" door reset on the XDT series Exit Delay Timers. While this is a easy conversion and often times desired by the end user, it may not meet various codes involved with the use of this device. **Check with the Authority Having Jurisdiction (AHJ) before implementing this scheme.** All that is required is a simple normally closed magnetic door contact connected as shown below. One lead of the contact will connect to the "+" terminal while the other lead will connect to the "RS" Reset terminal. This will automatically reset the XDT (after an alarm) when the door closes.



XDT series Exit Delay Timer with automatic alarm reset