

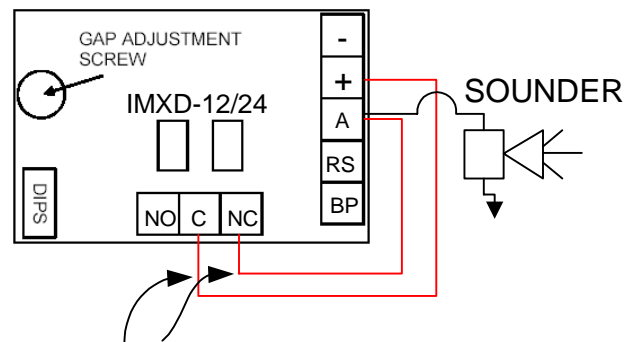
≡ SECURITRON QUICK TIP ≡

QUICK TIP NUMBER: QT-iMXD-1

PRODUCT: iMXD-12 or iMXD-24 Integrated Movement Exit Delay system

DESCRIPTION: The standard configuration of the iMXD series of Exit Delay Timers will sound a local audible until the exit time delay expires and the door actually unlocks. When the door unlocks the sounder will go silent. The following configuration will cause the local audible to continue to sound until the iMXD is reset.

Simply place a jumper between terminals "NC" of Remote Alarm Relay and "A" (the sounder output terminal). You will also need a jumper between the DC "+" terminal and the "C" terminal of the Remote Alarm Relay. Please note that this may make the Remote Alarm Relay unavailable for remote alarm reporting.



FOR CONTINUOUS SOUNDER
FUNCTION (upon alarm) UNTIL THE
IMXD HAS BEEN RESET ADD THE
TWO JUMPERS SHOWN

Jumper Installation on an iMXD series Exit Delay Timer for "Continuous" Sounder