

SECURITRON SYSTEM # 16

Application

Single door with key entry and motion detector egress.

Operation

Outside Operation: From outside use of keyswitch triggers timer and which de-energizes maglock for time set on TM-9.

Inside Operation: From the inside, door #2 is normally closed and locked by the M32 Magalock. From inside motion detector allows egress and in case of failer the EEB2 will de-energize maglock for 30 seconds.

Securitron System Components

1 each	Magalock M32
1 each	Keyswitch MK
1 each	Motion detector XMS
1 each	Power Supply BPS-24-1
1 each	Battery B-24-5
1 each	Timer TM-9
1 each	Emergency release button EEB3N

Additional Components Required

TBA	Hinges
2 each	Closer
2 each	Kickplate
2 each	Stop
TBA	Gasketing (as required)

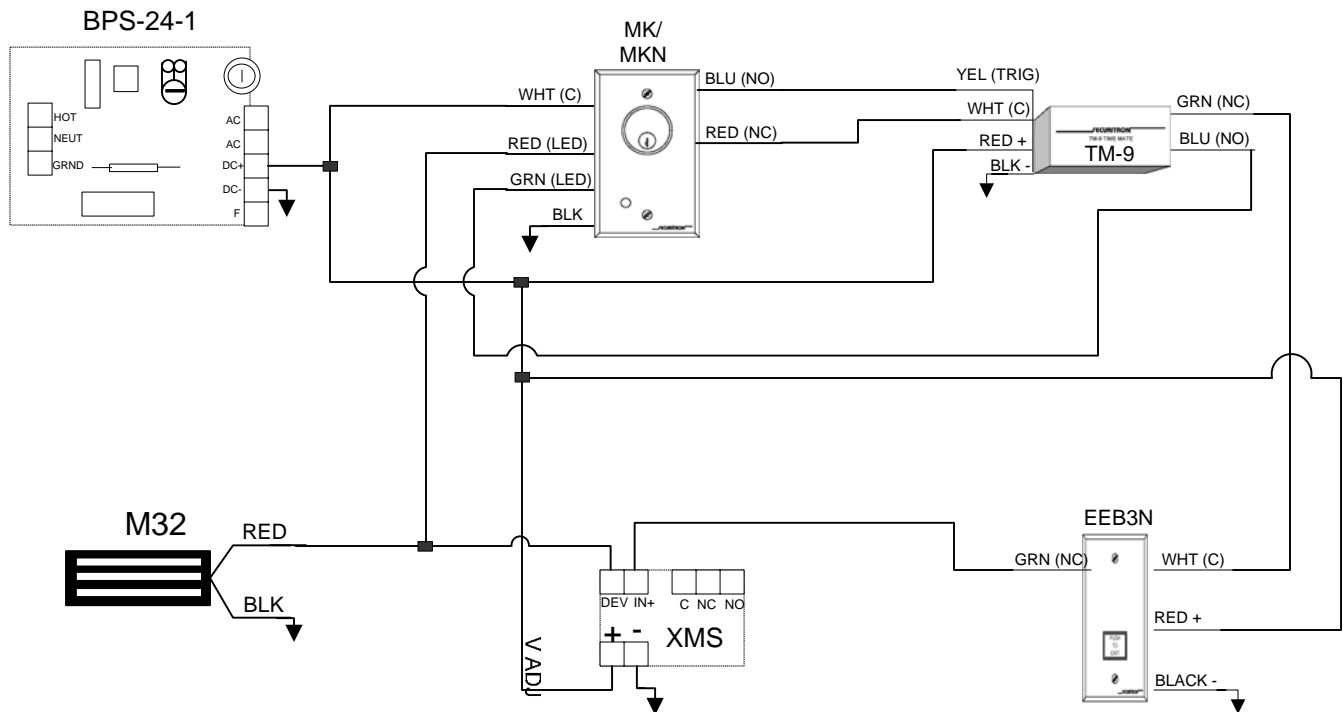
Options

COMMENTS: MOST DEVICES COME WITH WIRE LEADS IN DIFFERENT LENGTHS DEPENDING ON WHAT MODEL IT IS. IF LONGER WIRE RUNS ARE REQUIRED 18G STRANDED WIRE IS FINE FOR SHORTER WIRE RUNS ON A 12 V SYSTEM. 22G WIRE IS ACCEPTABLE FOR SHORTER WIRE RUNS ON A 24 V SYSTEM. FOR SPECIFIC WIRE GUAGE QUESTIONS ON LONGER RUNS OR SYSTEMS PLEASE CALL OUR TECH SUPPORT LINE AT 1-800-MAGLOCK OR 1-800-624-5625.

SINGLE DOOR KEY ENTRY MOTION DETECTOR EGRESS	Revision: 1	Number of Pages: 3	DRAWING # SEC-16	Drawn By: EBERGERET
	Date: 4-23-04	Page Number: 1		Approved By: RSALAZAR

SECURITRON MAGNALOCK CORP., 550 Vista Blvd., Sparks NV 89434 USA
Tel: (775) 355-5625 (800) MAGLOCK Fax: Mkt. (775) 355-5636, Fax: Admin. (775) 355-5633
Website: www.securitron.com E-mail: info@securitron.com

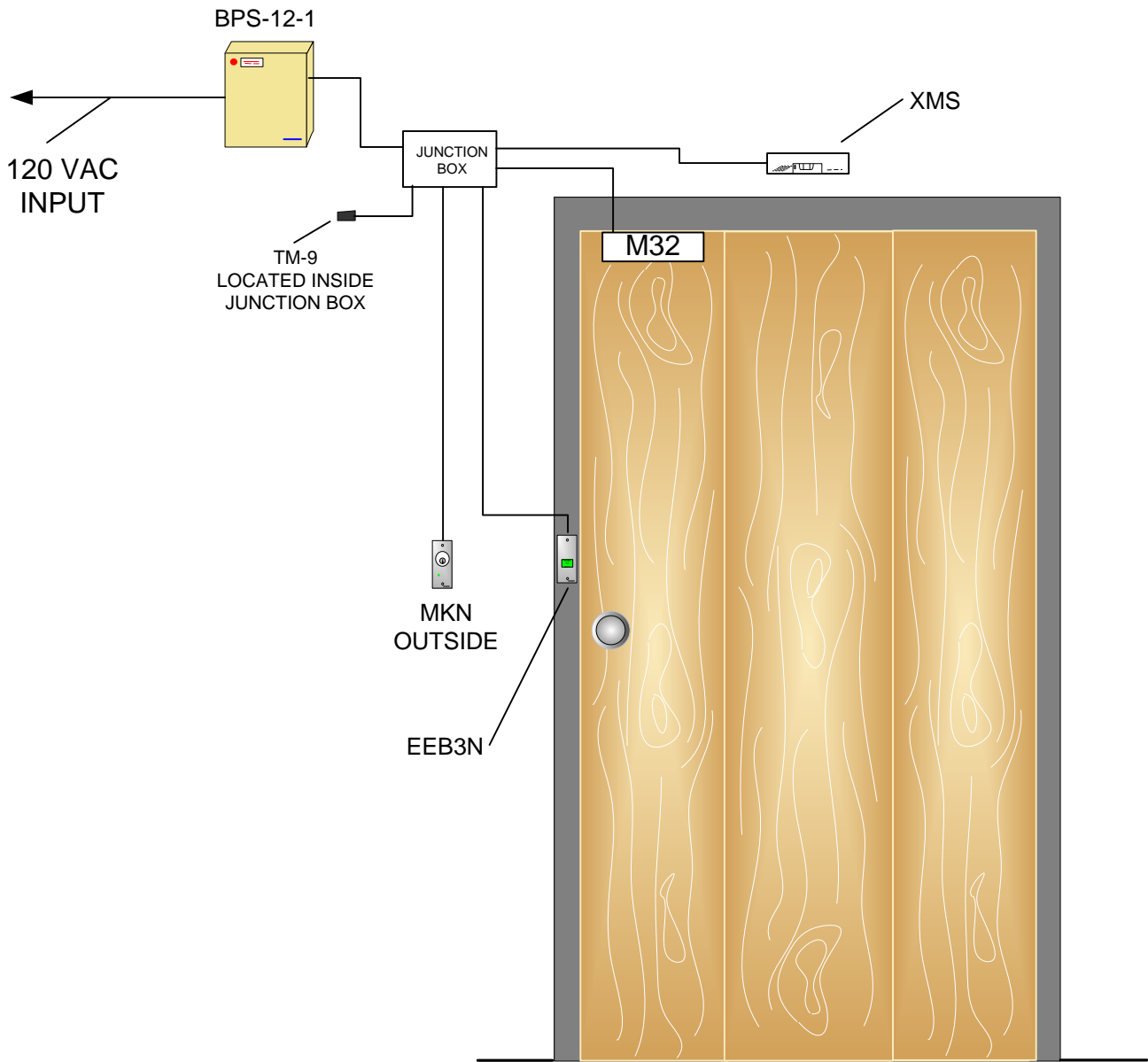
Point to Point Wiring Diagram



COMMENTS: MOST DEVICES COME WITH WIRE LEADS IN DIFFERENT LENGTHS DEPENDING ON WHAT MODEL IT IS. IF LONGER WIRE RUNS ARE REQUIRED 18G STRANDED WIRE IS FINE FOR SHORTER WIRE RUNS ON A 12 V SYSTEM. 22G WIRE IS ACCEPTABLE FOR SHORTER WIRE RUNS ON A 24 V SYSTEM. FOR SPECIFIC WIRE GAUGE QUESTIONS ON LONGER RUNS OR SYSTEMS PLEASE CALL OUR TECH SUPPORT LINE AT 1-800-MAGLOCK OR 1-800-624-5625.

SINGLE DOOR KEY ENTRY MOTION DETECTOR EGRESS	Revision: 1	Number of Pages: 3	DRAWING # SEC-16	Drawn By: EBERGERET
	Date: 4-23-04	Page Number: 2		Approved By: RSALAZAR

SECURITRON MAGNALOCK CORP., 550 Vista Blvd., Sparks NV 89434 USA
Tel: (775) 355-5625 (800) MAGLOCK Fax: Mkt. (775) 355-5636, Fax: Admin. (775) 355-5633
Website: www.securitron.com E-mail: info@securitron.com



COMMENTS: MOST DEVICES COME WITH WIRE LEADS IN DIFFERENT LENGTHS DEPENDING ON WHAT MODEL IT IS. IF LONGER WIRE RUNS ARE REQUIRED 18G STRANDED WIRE IS FINE FOR SHORTER WIRE RUNS ON A 12 V SYSTEM. 22G WIRE IS ACCEPTABLE FOR SHORTER WIRE RUNS ON A 24 V SYSTEM. FOR SPECIFIC WIRE GAUGE QUESTIONS ON LONGER RUNS OR SYSTEMS PLEASE CALL OUR TECH SUPPORT LINE AT 1-800-MAGLOCK OR 1-800-624-5625.

SINGLE DOOR KEY ENTRY MOTION DETECTOR EGRESS	Revision: 1	Number of Pages: 3	DRAWING # SEC-16	Drawn By: EBERGERET
	Date: 4-23-04	Page Number: 3		Approved By: RSALAZAR

SECURITRON MAGNALOCK CORP., 550 Vista Blvd., Sparks NV 89434 USA
 Tel: (775) 355-5625 (800) MAGLOCK Fax: Mkt. (775) 355-5636, Fax: Admin. (775) 355-5633
 Website: www.securitron.com E-mail: info@securitron.com