

SECURITRON SYSTEM # 12

Application

Any door with first man in option through the use of DT-7

Operation

Outside Operation: From a scheduled time the DT-7 will lock and unlock the doors at specific times. If the program for the DT-7 has passed its opening time and the closure on terminals 3 and 4 has not been broken it will remain locked until a valid code has been entered on the keypad (or other switching device). That will de-energize the lock and allow access into the vestibule and will also allow the DT-7 to unlock the doors for the remainder of the scheduled time. After hours the DK-26 will allow entry.

Inside Operation: From the inside you can egress through the use of the TSB-3 bars which will work at any time.

Securiton System Components

2 each	Magnalock M62
1 each	Digital Keypad DK-26
2 each	Touch Sense Bar TSB-3CL
1 each	Power Supply BPS-24-1
1 each	Battery B-24-5
1 each	Timer DT-7

Additional Components Required

TBA	Hinges
2 each	Closer
2 each	Kickplate
2 each	Stop
TBA	Gasketing (as required)

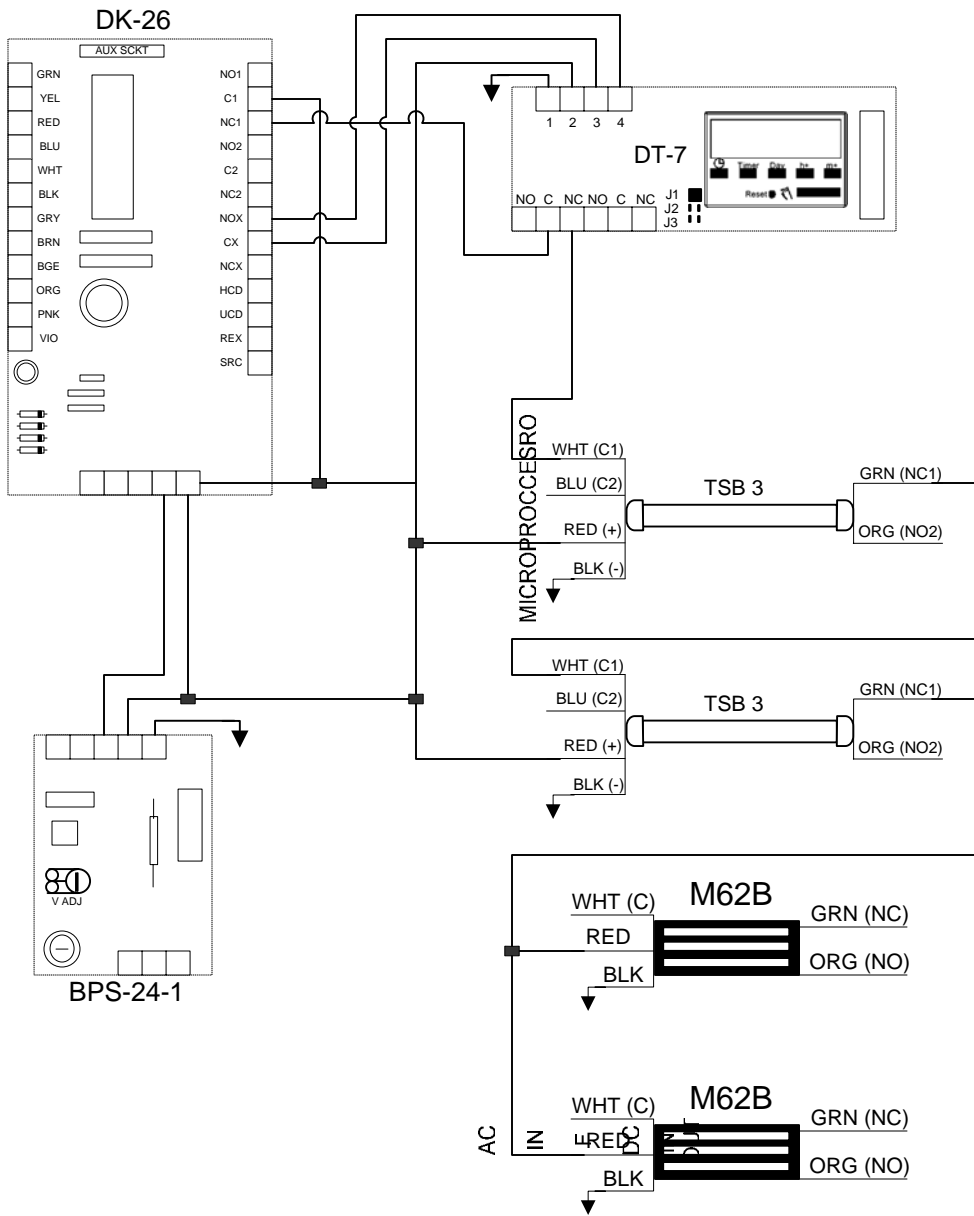
Options

COMMENTS: MOST DEVICES COME WITH WIRE LEADS IN DIFFERENT LENGTHS DEPENDING ON WHAT MODEL IT IS. IF LONGER WIRE RUNS ARE REQUIRED 18G STRANDED WIRE IS FINE FOR SHORTER WIRE RUNS ON A 12 V SYSTEM. 22G WIRE IS ACCEPTABLE FOR SHORTER WIRE RUNS ON A 24 V SYSTEM. FOR SPECIFIC WIRE GAUGE QUESTIONS ON LONGER RUNS OR SYSTEMS PLEASE CALL OUR TECH SUPPORT LINE AT 1-800-MAGLOCK OR 1-800-624-5625.

First man in option with DT-7	Revision: 1	Number of Pages: 3	DRAWING # SEC-12	Drawn By: EBERGERET
	Date: 4-23-04	Page Number: 1		Approved By: RSALAZAR

SECURITRON MAGNALOCK CORP., 550 Vista Blvd., Sparks NV 89434 USA
Tel: (775) 355-5625 (800) MAGLOCK Fax: Mkt. (775) 355-5636, Fax: Admin. (775) 355-5633
Website: www.securitron.com E-mail: info@securitron.com

Point to Point Wiring Diagram for Doors

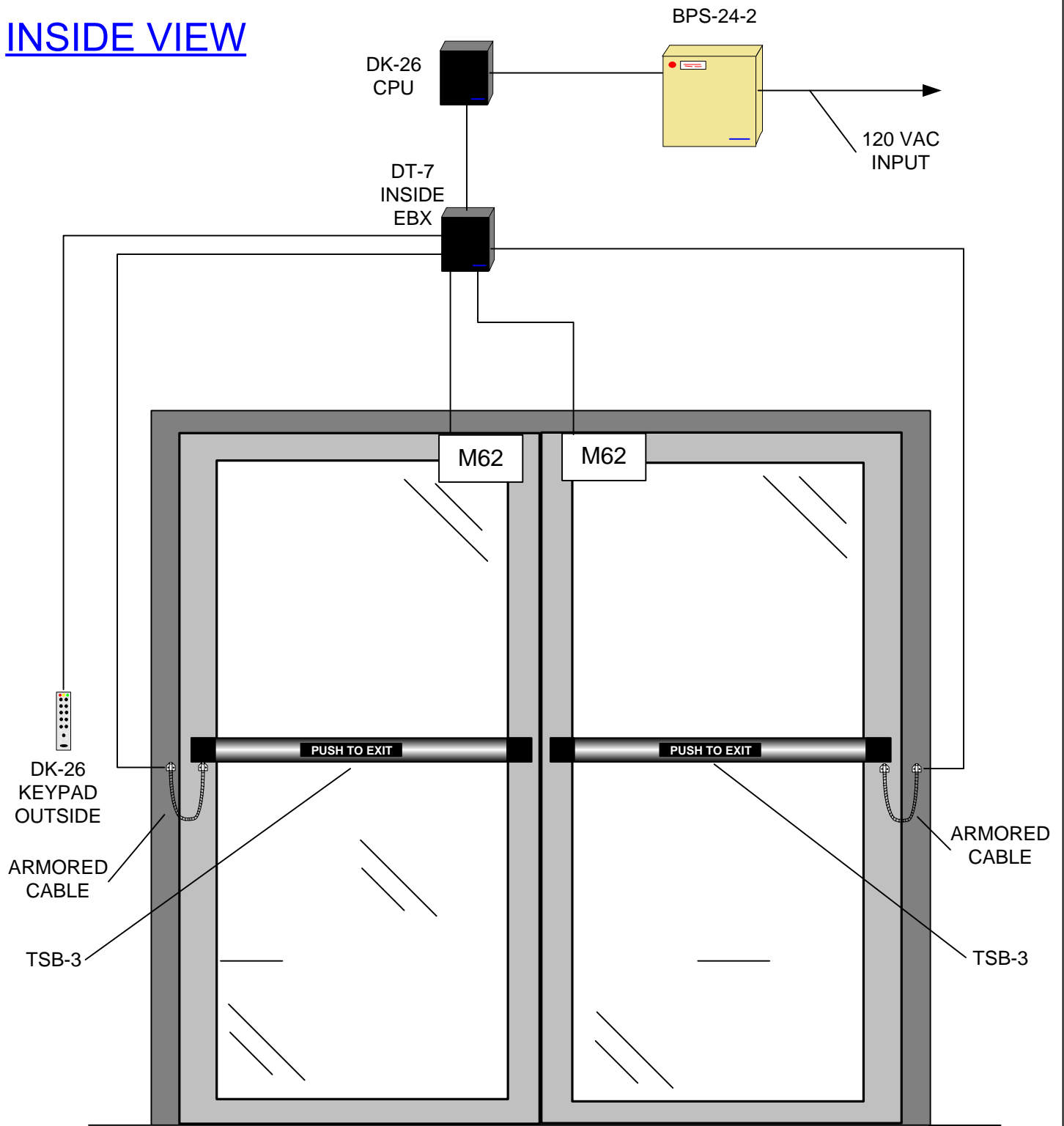


COMMENTS: MOST DEVICES COME WITH WIRE LEADS IN DIFFERENT LENGTHS DEPENDING ON WHAT MODEL IT IS. IF LONGER WIRE RUNS ARE REQUIRED 18G STRANDED WIRE IS FINE FOR SHORTER WIRE RUNS ON A 12 V SYSTEM. 22G WIRE IS ACCEPTABLE FOR SHORTER WIRE RUNS ON A 24 V SYSTEM. FOR SPECIFIC WIRE GAUGE QUESTIONS ON LONGER RUNS OR SYSTEMS PLEASE CALL OUR TECH SUPPORT LINE AT 1-800-MAGLOCK OR 1-800-624-5625.

First man in option with DT-7	Revision: 1	Number of Pages: 3	DRAWING # SEC-12	Drawn By: EBERGERET
	Date: 4-23-04	Page Number: 2		Approved By: RSALAZAR

SECURITRON MAGNALOCK CORP., 550 Vista Blvd., Sparks NV 89434 USA
 Tel: (775) 355-5625 (800) MAGLOCK Fax: Mkt (775) 355-5636, Fax: Admin. (775) 355-5633
 Website: www.securitron.com E-mail: info@securitron.com

INSIDE VIEW



COMMENTS: MOST DEVICES COME WITH WIRE LEADS IN DIFFERENT LENGTHS DEPENDING ON WHAT MODEL IT IS. IF LONGER WIRE RUNS ARE REQUIRED 18G STRANDED WIRE IS FINE FOR SHORTER WIRE RUNS ON A 12 V SYSTEM. 22G WIRE IS ACCEPTABLE FOR SHORTER WIRE RUNS ON A 24 V SYSTEM. FOR SPECIFIC WIRE GAUGE QUESTIONS ON LONGER RUNS OR SYSTEMS PLEASE CALL OUR TECH SUPPORT LINE AT 1-800-MAGLOCK OR 1-800-624-5625.

INTERLOCK NORMALLY LOCKED	Revision: 1	Number of Pages: 3	DRAWING # SEC-12	Drawn By: EBERGERET
	Date: 4-23-04	Page Number: 3		Approved By: RSALAZAR

SECURITRON MAGNALOCK CORP., 550 Vista Blvd., Sparks NV 89434 USA
 Tel: (775) 355-5625 (800) MAGLOCK Fax: Mkt. (775) 355-5636, Fax: Admin. (775) 355-5633
 Website: www.securitron.com E-mail: info@securitron.com