

SECURITRON SYSTEM # 13

Application

Two door interlock with doors normally unlocked, with keyswitch for emergency override.

Operation

Outside Operation: From outside vestibule doors #1 and #2 are closed. Opening door #1 will lock down door #2. Once door #1 secures, door #2 can be opened.

Inside Operation: From the inside, door #2 is normally closed. Opening door # 2 will lock down door # 1. Once door #2 secures, door #1 can be opened. Holding either door open will pin lock of other door down until that door is re-secured.

Securitron System Components

2 each	Magnalock M62B
1 each	Relay Board RB-4-24
2 each	Door Contacts (By Others)
1 each	Power Supply BPS-24-1
1 each	Battery B-24-5
1 each	Key Switch MKA

Additional Components Required

TBA	Hinges
2 each	Closer
2 each	Kickplate
2 each	Stop
TBA	Gasketing (as required)

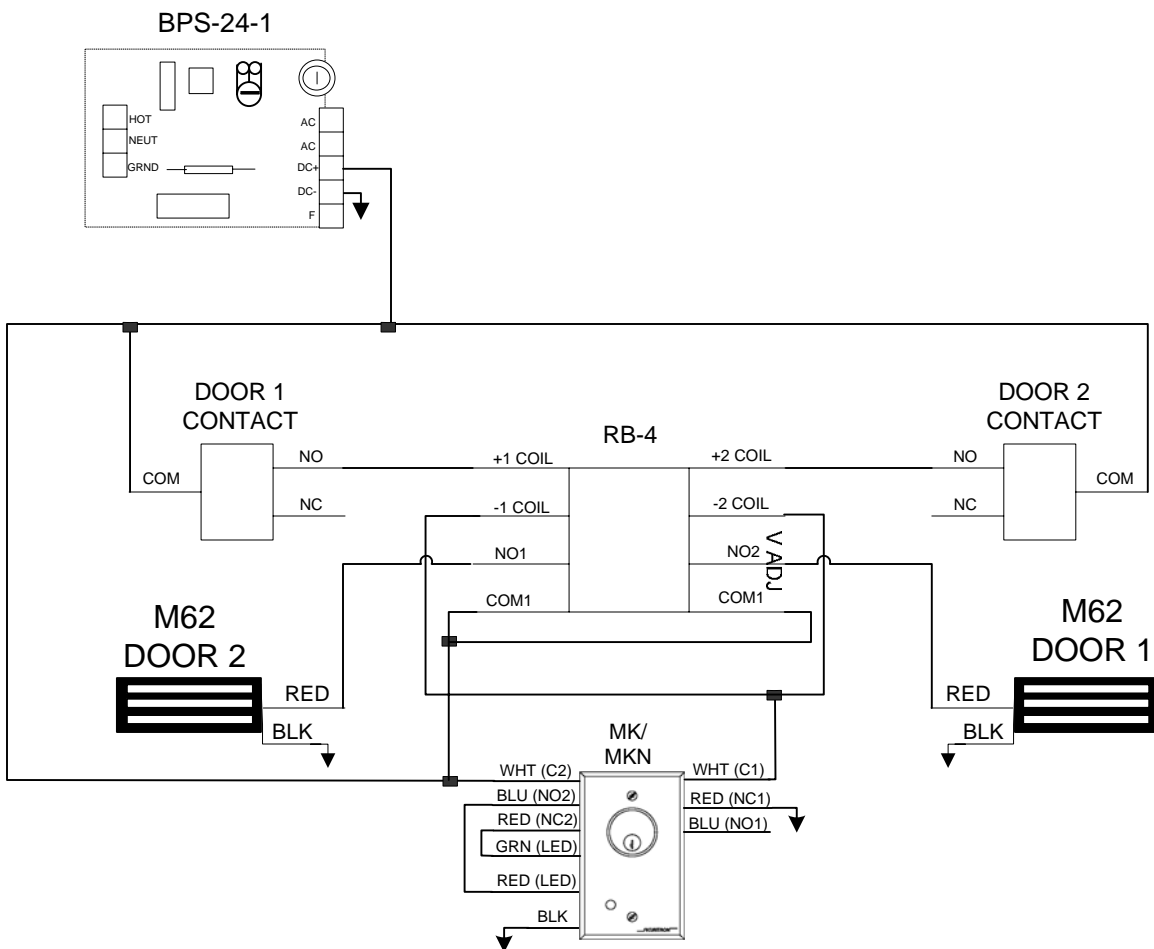
Options

COMMENTS: MOST DEVICES COME WITH WIRE LEADS IN DIFFERENT LENGTHS DEPENDING ON WHAT MODEL IT IS. IF LONGER WIRE RUNS ARE REQUIRED 18G STRANDED WIRE IS FINE FOR SHORTER WIRE RUNS ON A 12 V SYSTEM. 22G WIRE IS ACCEPTABLE FOR SHORTER WIRE RUNS ON A 24 V SYSTEM. FOR SPECIFIC WIRE GAUGE QUESTIONS ON LONGER RUNS OR SYSTEMS PLEASE CALL OUR TECH SUPPORT LINE AT 1-800-MAGLOCK OR 1-800-624-5625.

2 DOOR INTERLOCK NORMALLY UNLOCKED	Revision: 1	Number of Pages: 3	DRAWING # SEC-13	Drawn By: EBERGERET
	Date: 4-23-04	Page Number: 1		Approved By: RSALAZAR

SECURITRON MAGNALOCK CORP., 550 Vista Blvd., Sparks NV 89434 USA
Tel: (775) 355-5625 (800) MAGLOCK Fax: Mkt. (775) 355-5636, Fax: Admin. (775) 355-5633
Website: www.securitron.com E-mail: info@securitron.com

Point to Point Wiring Diagram

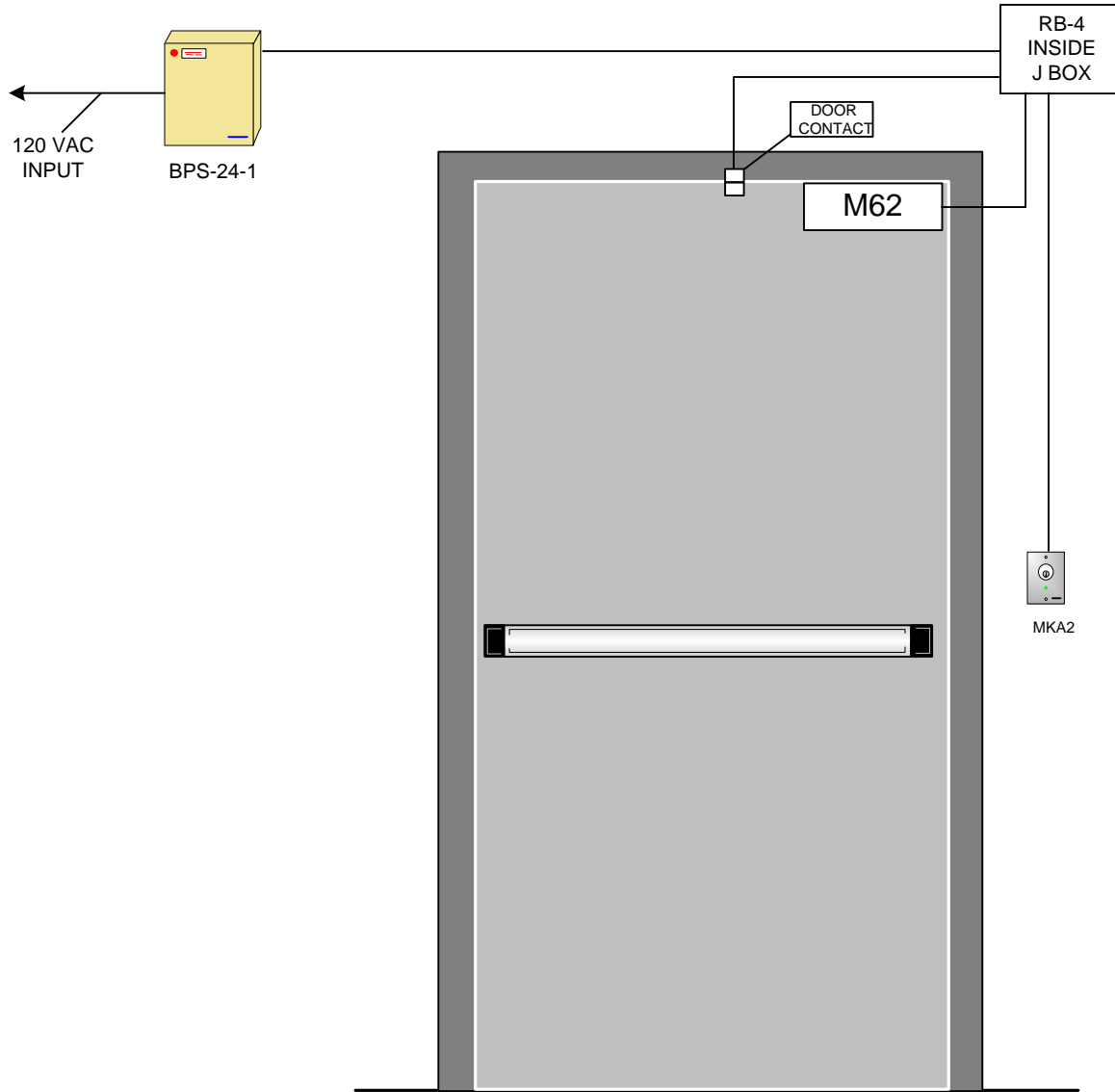


COMMENTS: MOST DEVICES COME WITH WIRE LEADS IN DIFFERENT LENGTHS DEPENDING ON WHAT MODEL IT IS. IF LONGER WIRE RUNS ARE REQUIRED 18G STRANDED WIRE IS FINE FOR SHORTER WIRE RUNS ON A 12 V SYSTEM. 22G WIRE IS ACCEPTABLE FOR SHORTER WIRE RUNS ON A 24 V SYSTEM. FOR SPECIFIC WIRE GAUGE QUESTIONS ON LONGER RUNS OR SYSTEMS PLEASE CALL OUR TECH SUPPORT LINE AT 1-800-MAGLOCK OR 1-800-624-5625.

2 DOOR INTERLOCK NORMALLY UNLOCKED	Revision: 1	Number of Pages: 3	DRAWING # SEC-13	Drawn By: EBERGERET
	Date: 4-23-04	Page Number: 2		Approved By: RSALAZAR

SECURITRON MAGNALOCK CORP., 550 Vista Blvd., Sparks NV 89434 USA
 Tel: (775) 355-5625 (800) MAGLOCK Fax: Mkt. (775) 355-5636, Fax: Admin. (775) 355-5633
 Website: www.securitron.com E-mail: info@securitron.com

INSIDE VIEW



COMMENTS: MOST DEVICES COME WITH WIRE LEADS IN DIFFERENT LENGTHS DEPENDING ON WHAT MODEL IT IS. IF LONGER WIRE RUNS ARE REQUIRED 18G STRANDED WIRE IS FINE FOR SHORTER WIRE RUNS ON A 12 V SYSTEM. 22G WIRE IS ACCEPTABLE FOR SHORTER WIRE RUNS ON A 24 V SYSTEM. FOR SPECIFIC WIRE GAUGE QUESTIONS ON LONGER RUNS OR SYSTEMS PLEASE CALL OUR TECH SUPPORT LINE AT 1-800-MAGLOCK OR 1-800-624-5625.

2 DOOR INTERLOCK NORMALLY UNLOCKED	Revision: 1	Number of Pages: 3	DRAWING # SEC-13	Drawn By: EBERGERET
	Date: 4-23-04	Page Number: 3		Approved By: RSALAZAR

SECURITRON MAGNALOCK CORP., 550 Vista Blvd., Sparks NV 89434 USA
 Tel: (775) 355-5625 (800) MAGLOCK Fax: Mkt. (775) 355-5636, Fax: Admin. (775) 355-5633
 Website: www.securitron.com E-mail: info@securitron.com