

# SECURITRON SYSTEM # 06

## Application

Two separate single door "Interlock" system, where high security or atmospheric integrity (Clean Room) is a must.

## Operation

Outside Operation: From outside vestibule door #1 is closed and locked by the M62B Magnalock. Entering an authorized user code on the keypad (or other switching device) will de-energize the lock and allow access into the vestibule. Once door #1 secures door #2 can be accessed in the same manner.

Inside Operation: From the inside, door #2 is normally closed and lock by the M62B Magnalock activation of the TSB-3 Touch Sense Bar will de-energize the lock and allow egress into the vestibule. Once door #2 secures door #1 can be used to egress in the same manner.

## Securitron System Components

2 each	Magnalock M62B
2 each	Digital Keypad DK-26
2 each	Touch Sense Bar TSB-3CL
1 each	Relay Logic Pack RLP-24
1 each	Power Supply BPS-24-2
1 each	Battery B-24-5
2 each	Key Switch MKA

## Additional Components Required

	Hinges
2 each	Closer
2 each	Kickplate
2 each	Stop
	Gasketing (as required)

## Options

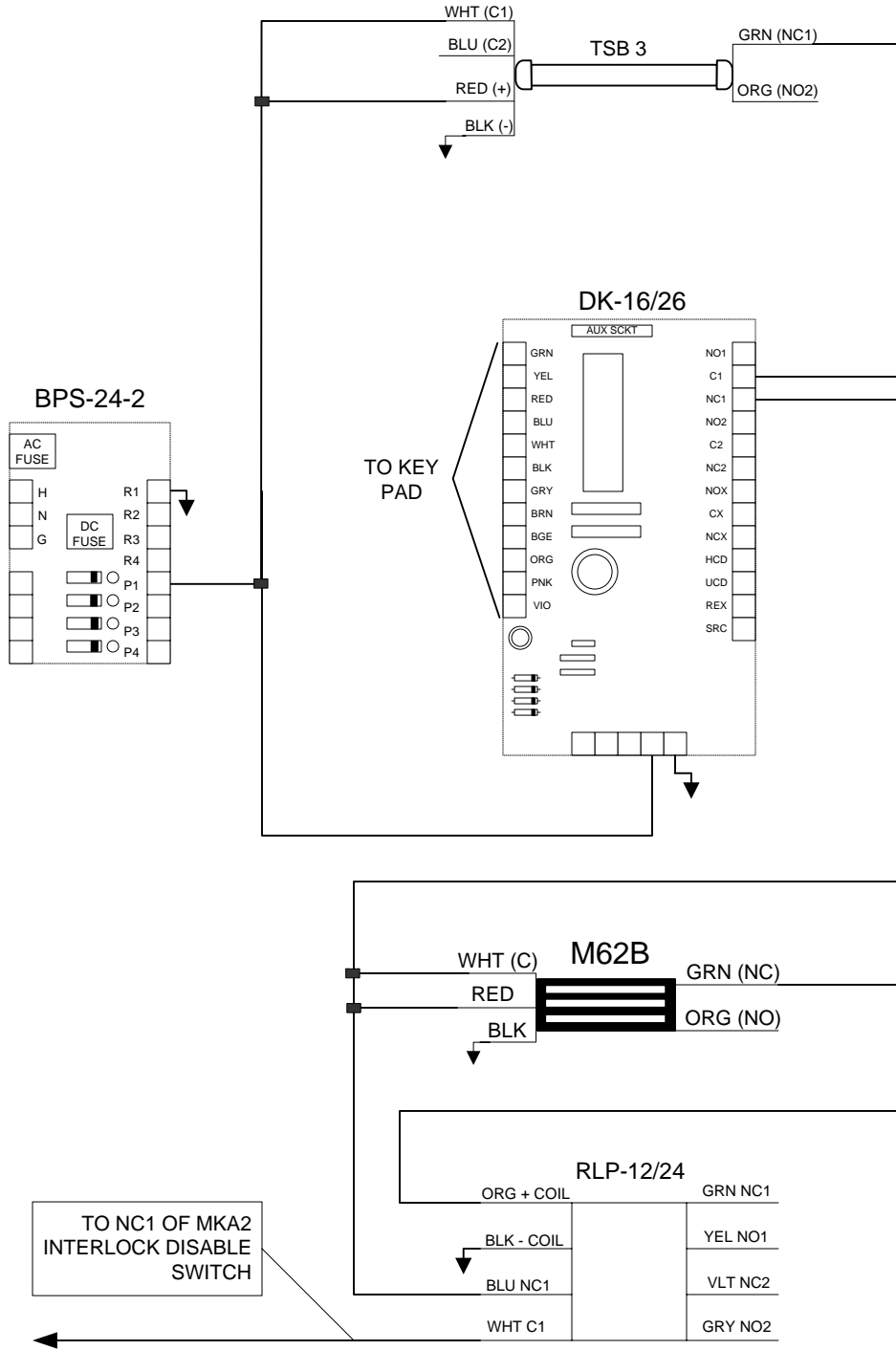
- 1) For doors requiring card access or key access, replace the keypad with the card readers or key switches of your choice.

COMMENTS: MOST DEVICES COME WITH WIRE LEADS IN DIFFERENT LENGTHS DEPENDING ON WHAT MODEL IT IS. IF LONGER WIRE RUNS ARE REQUIRED 18G STRANDED WIRE IS FINE FOR SHORTER WIRE RUNS ON A 12 V SYSTEM. 22G WIRE IS ACCEPTABLE FOR SHORTER WIRE RUNS ON A 24 V SYSTEM. FOR SPECIFIC WIRE GAUGE QUESTIONS ON LONGER RUNS OR SYSTEMS PLEASE CALL OUR TECH SUPPORT LINE AT 1-800-MAGLOCK OR 1-800-624-5625.

TWO DOOR INTERLOCK	Revision: 1	Number of Pages: 5	DRAWING # SEC-6	Drawn By: EBERGERET
	Date: 4-23-04	Page Number: 1		Approved By: RSALAZAR

SECURITRON MAGNALOCK CORP., 550 Vista Blvd., Sparks NV 89434 USA  
Tel: (775) 355-5625 (800) MAGLOCK Fax: Mkt. (775) 355-5636, Fax: Admin. (775) 355-5633  
Website: www.securitron.com E-mail: info@securitron.com

# Point to Point Wiring for Door #1

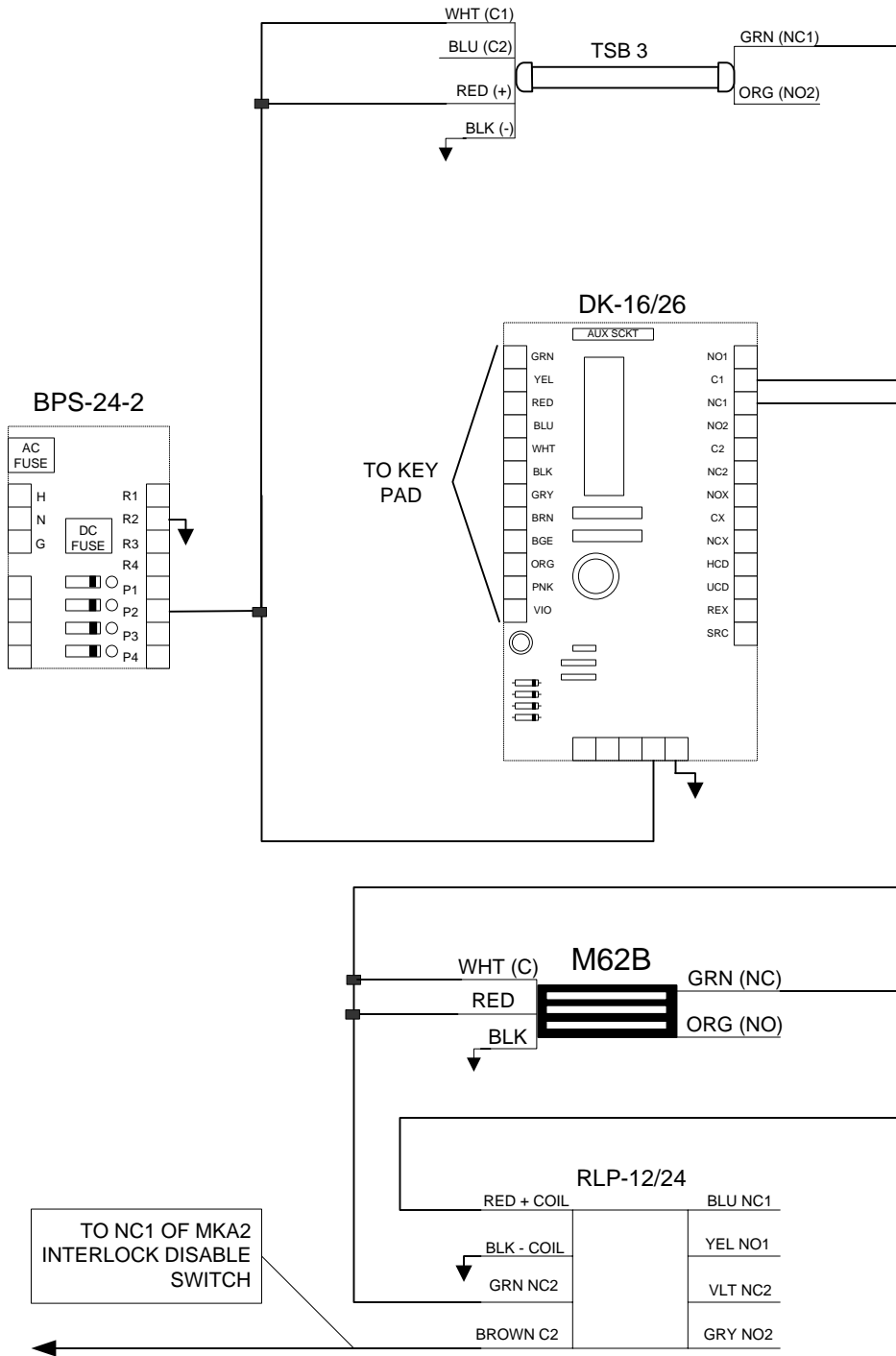


COMMENTS: MOST DEVICES COME WITH WIRE LEADS IN DIFFERENT LENGTHS DEPENDING ON WHAT MODEL IT IS. IF LONGER WIRE RUNS ARE REQUIRED 18G STRANDED WIRE IS FINE FOR SHORTER WIRE RUNS ON A 12 V SYSTEM. 22G WIRE IS ACCEPTABLE FOR SHORTER WIRE RUNS ON A 24 V SYSTEM. FOR SPECIFIC WIRE GAUGE QUESTIONS ON LONGER RUNS OR SYSTEMS PLEASE CALL OUR TECH SUPPORT LINE AT 1-800-MAGLOCK OR 1-800-624-5625.

TWO DOOR INTERLOCK DOOR #1	Revision: 1	Number of Pages: 5	DRAWING # SEC-6	Drawn By: EBERGERET
	Date: 4-23-04	Page Number: 2		Approved By: RSALAZAR

SECURITRON MAGNALOCK CORP., 550 Vista Blvd., Sparks NV 89434 USA  
 Tel: (775) 355-5625 (800) MAGLOCK Fax: Mkt. (775) 355-5636, Fax: Admin. (775) 355-5633  
 Website: www.securitron.com E-mail: info@securitron.com

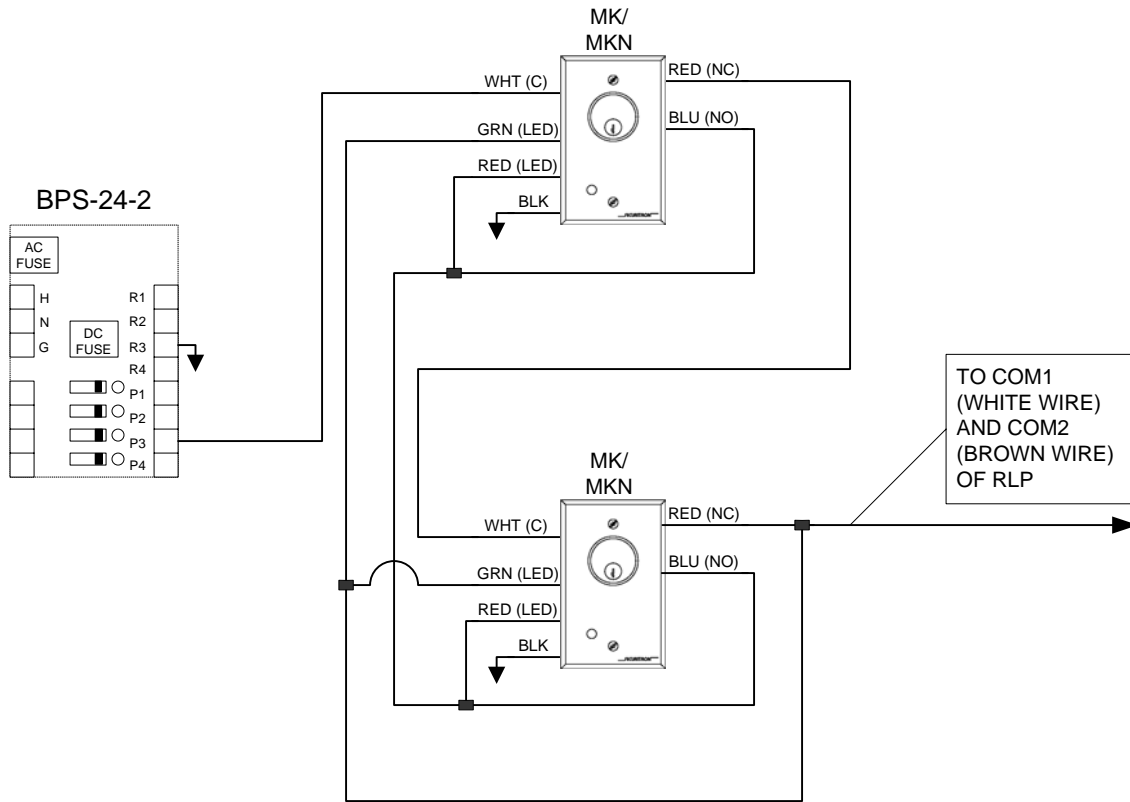
## Point to Point Wiring for Door #2



COMMENTS: MOST DEVICES COME WITH WIRE LEADS IN DIFFERENT LENGTHS DEPENDING ON WHAT MODEL IT IS. IF LONGER WIRE RUNS ARE REQUIRED 18G STRANDED WIRE IS FINE FOR SHORTER WIRE RUNS ON A 12 V SYSTEM. 22G WIRE IS ACCEPTABLE FOR SHORTER WIRE RUNS ON A 24 V SYSTEM. FOR SPECIFIC WIRE GAUGE QUESTIONS ON LONGER RUNS OR SYSTEMS PLEASE CALL OUR TECH SUPPORT LINE AT 1-800-MAGLOCK OR 1-800-624-5625.

TWO DOOR INTERLOCK DOOR #2	Revision: 1	Number of Pages: 5	DRAWING # SEC-6	Drawn By: EBERGERET
	Date: 4-23-04	Page Number: 3		Approved By: RSALAZAR

SECURITRON MAGNALOCK CORP., 550 Vista Blvd., Sparks NV 89434 USA  
 Tel: (775) 355-5625 (800) MAGLOCK Fax: Mkt. (775) 355-5636, Fax: Admin. (775) 355-5633  
 Website: www.securitron.com E-mail: info@securitron.com

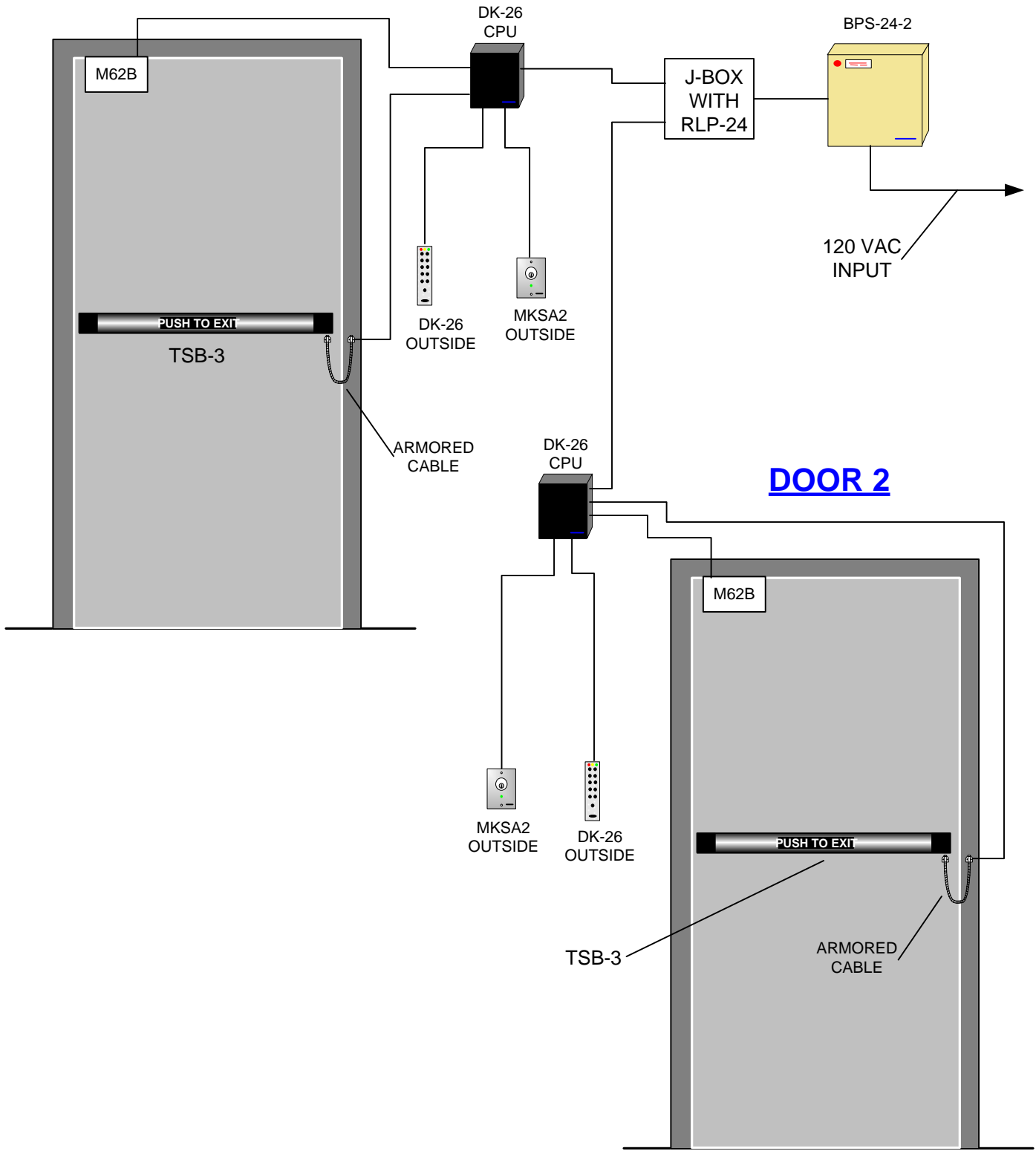


COMMENTS: MOST DEVICES COME WITH WIRE LEADS IN DIFFERENT LENGTHS DEPENDING ON WHAT MODEL IT IS. IF LONGER WIRE RUNS ARE REQUIRED 18G STRANDED WIRE IS FINE FOR SHORTER WIRE RUNS ON A 12 V SYSTEM. 22G WIRE IS ACCEPTABLE FOR SHORTER WIRE RUNS ON A 24 V SYSTEM. FOR SPECIFIC WIRE GAUGE QUESTIONS ON LONGER RUNS OR SYSTEMS PLEASE CALL OUR TECH SUPPORT LINE AT 1-800-MAGLOCK OR 1-800-624-5625.

TWO DOOR INTERLOCK INTERLOCK DISABLE	Revision: 1	Number of Pages: 5	DRAWING # SEC-6	Drawn By: EBERGERET
	Date: 4-23-04	Page Number: 4		Approved By: RSALAZAR

SECURITRON MAGNALOCK CORP., 550 Vista Blvd., Sparks NV 89434 USA  
 Tel: (775) 355-5625 (800) MAGLOCK Fax: Mkt. (775) 355-5636, Fax: Admin. (775) 355-5633  
 Website: www.securitron.com E-mail: info@securitron.com

# DOOR 1



COMMENTS: MOST DEVICES COME WITH WIRE LEADS IN DIFFERENT LENGTHS DEPENDING ON WHAT MODEL IT IS. IF LONGER WIRE RUNS ARE REQUIRED 18G STRANDED WIRE IS FINE FOR SHORTER WIRE RUNS ON A 12 V SYSTEM. 22G WIRE IS ACCEPTABLE FOR SHORTER WIRE RUNS ON A 24 V SYSTEM. FOR SPECIFIC WIRE GAUGE QUESTIONS ON LONGER RUNS OR SYSTEMS PLEASE CALL OUR TECH SUPPORT LINE AT 1-800-MAGLOCK OR 1-800-624-5625.

TWO DOOR INTERLOCK RISER	Revision: 1	Number of Pages: 5	DRAWING # SEC-6	Drawn By: EBERGERET
	Date: 4-23-04	Page Number: 5		Approved By: RSALAZAR

SECURITRON MAGNALOCK CORP., 550 Vista Blvd., Sparks NV 89434 USA  
 Tel: (775) 355-5625 (800) MAGLOCK Fax: Mkt. (775) 355-5636, Fax: Admin. (775) 355-5633  
 Website: www.securitron.com E-mail: info@securitron.com