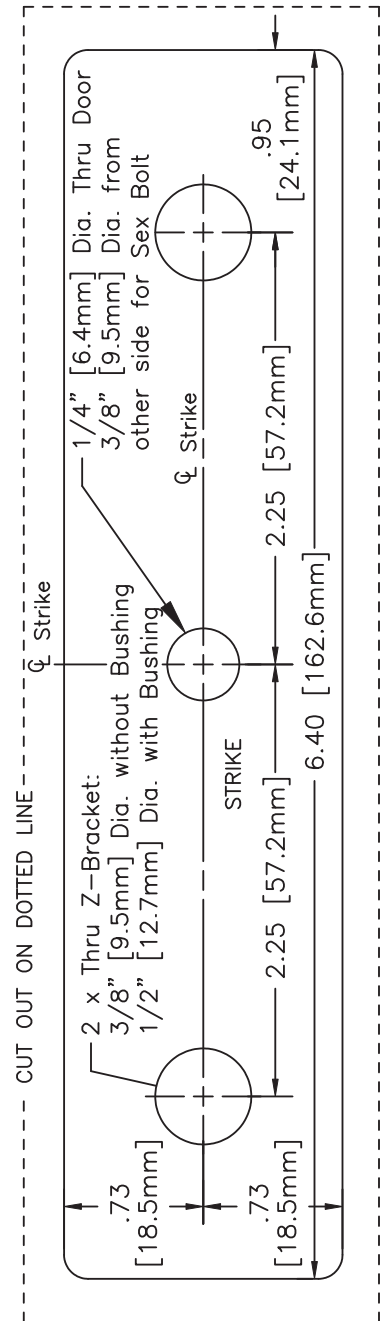
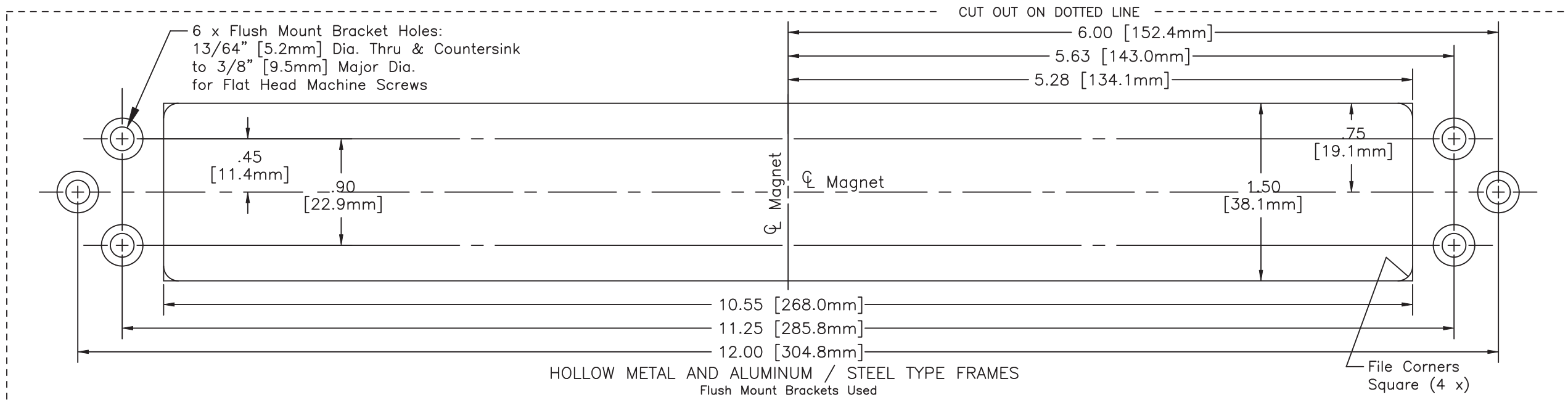
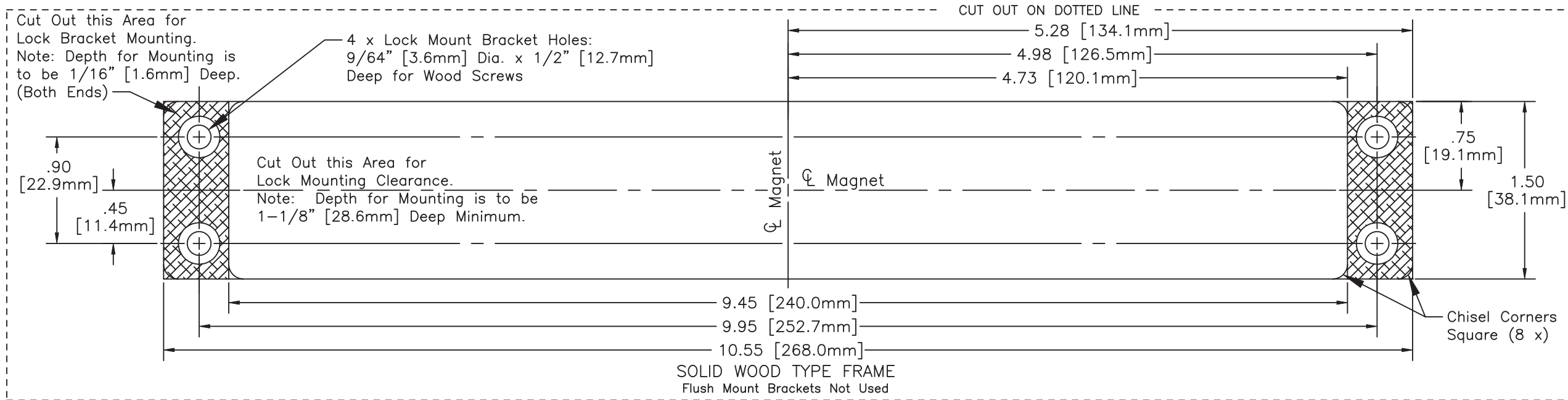
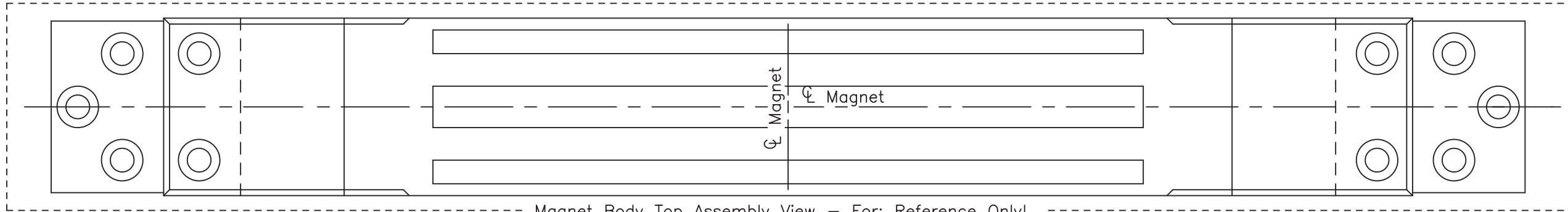
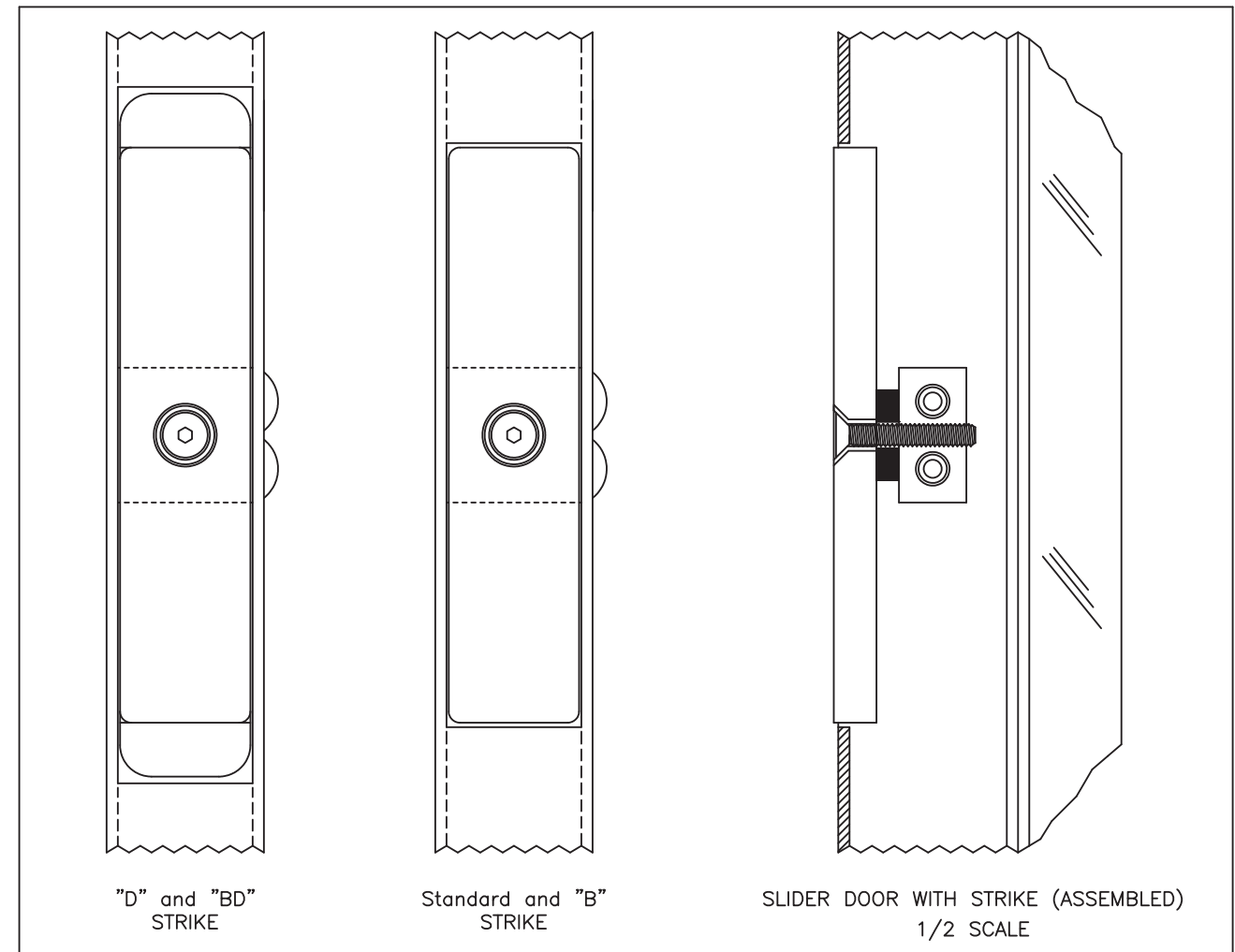
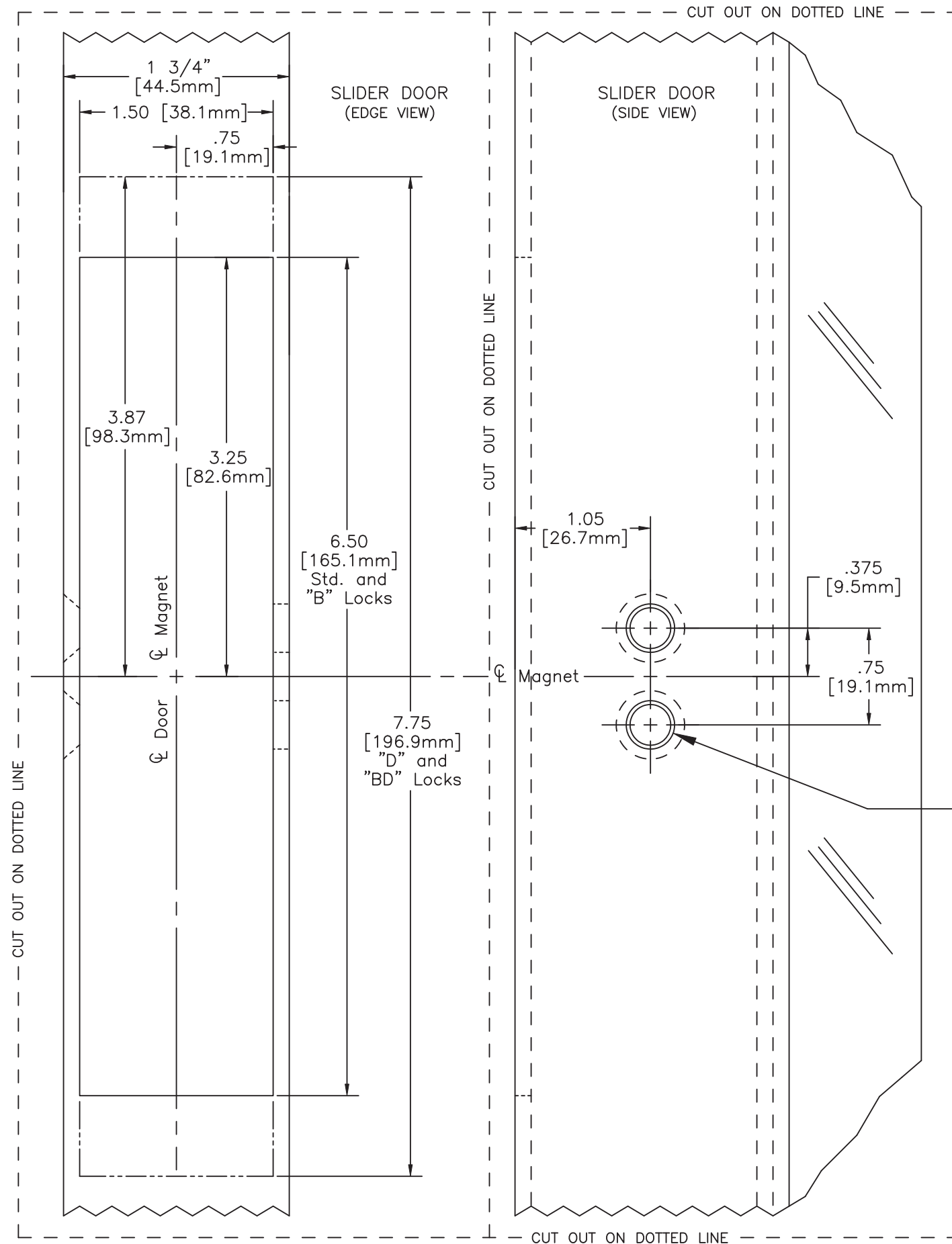


M34R Recessed Series Magnalock Template





- 1) Cut out the appropriate rectangular hole for the strike being used in the edge of the door frame as shown.
- 2) Drill (2) $5/16$ " [7.9mm] diameter holes completely through the frame of the door.
- 3) Enlarge (re-drill) holes to $3/8$ " [9.5mm] diameter for sex bolt side of door only! This should be the unsecure or the outside of the door.
- 4) Countersink (82°) the (2) $5/16$ " diameter holes for the mounting screw side to a major diameter of $17/32$ " [13.5mm] for flat head screw flush fit. This is the secure or the inside of the door.
- 5) Insert the strike mounting block into the rectangular cutout in the frame of the door and align the block mounting holes with the holes drilled for the sex bolts.
- 6) Insert both sex bolts through the door holes and into the mounting block holes. Do not force the sex bolts into the door or mounting block holes.
- 7) Insert the flat head mounting screws into the sex bolts and thread until snug.
- 8) While tightening the screws, lightly tap on the sex bolts to assist in proper insertion and alignment.
- 9) When the sex bolts are fully set, the door is ready for the strike installation.

M34R Recessed Series Magnalock Strike (Slider Door) Template

DO NOT PHOTOCOPY TEMPLATE (dimensions will change)

SECURITRON
ASSA ABLOY

(Sheet 2 of 2)